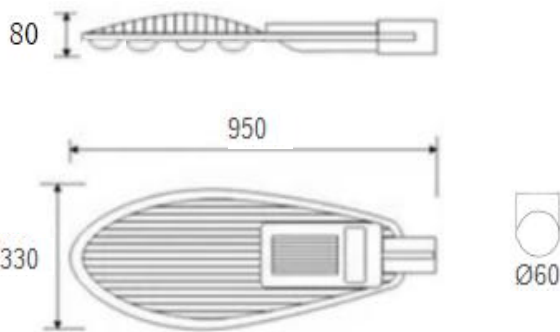


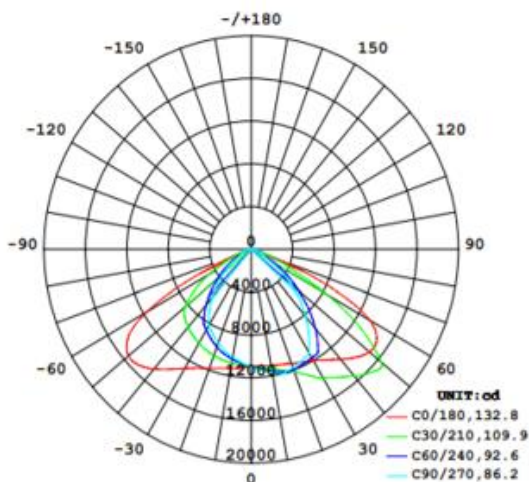


Dimension drawing



Unit: mm

Lighting Distribution



Description

LED Street light, delivers a superior LED alternative that's up to 60% more energy efficient than the conventional HPS, Metal halide road light retrofits.

Top materials such as aluminum housing, isolated driver with 4-10kv surge protection which will keep its stable quality.

Specification

Model	GR-SL-200WP
Install Pole Diameter	Ø60mm
Power	200Watt ±5%
Dimension	950x330x80mm
LED Type	Lumileds SMD
Lumens	22000-26000lm
CCT	3000K/4000K/6000K options
CRI	70
SDCM	<5
LED driver	Built-in driver included
Input voltage	120-265VAC 50/60Hz
Efficiency	>90%
IK rating	IK08
THD	<15% or 10%
Surge protection	4KV/6KV as standard
Materials	Die-cast aluminum.
Finished	Black as standard, grey options
Cover	Glass
Working life	>50000Hrs
IP Rating	IP66
Beam angle	70*145°
Working temp	-25°C ~ +50°C
Storage temp	-30°C ~ +55°C
Standard	CE LVD EMC RoHS
Control Way	ON/OFF
Warranty	2/3Years

Options

- Photocell
- Low voltage like DC12V 24V options
- CRI80
- Grey finished
- 10KV/20KV SPD options
- 5Years warranty

Package

QTY: 1PCS/CTNS

CTN Size: 97*35*12CM