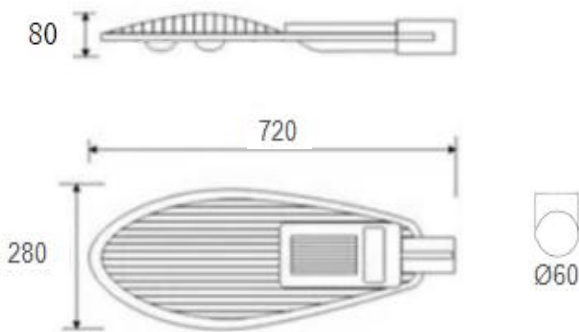


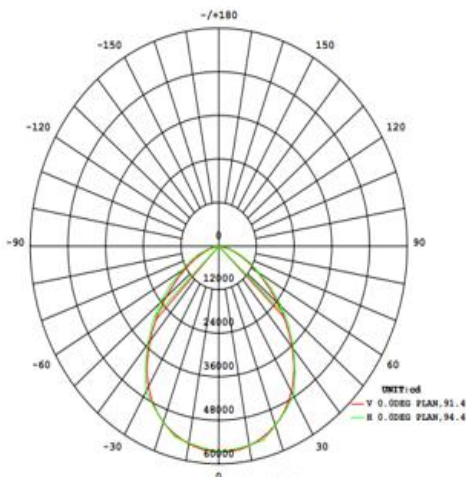


Dimension drawing



Unit: mm

Lighting Distribution



Description

LED Street light, delivers a superior LED alternative that's up to 60% more energy efficient than the conventional HPS, Metal halide road light retrofits.

Top materials such as aluminum housing, isolated driver with 4-10kv surge protection which will keep its stable quality.

Specification

Model	GR-SL-100WP
Install Pole Diameter	Ø60mm
Power	100Watt ±5%
Dimension	720x280x80mm
LED Type	Lumileds SMD
Lumens	11000-13000lm
CCT	3000K/4000K/6000K options
CRI	70
SDCM	<5
LED driver	Built-in driver included
Input voltage	120-265VAC 50/60Hz
Efficiency	>90%
IK rating	IK08
THD	<15% or 10%
Surge protection	4KV/6KV as standard
Materials	Die-cast aluminum.
Finished	Black as standard, grey options
Cover	Glass
Working life	>50000Hrs
IP Rating	IP66
Beam angle	120°
Working temp	-25°C ~ +50°C
Storage temp	-30°C ~ +55°C
Standard	CE LVD EMC RoHS
Control Way	ON/OFF
Warranty	3/5Years

Options

1. Photocell
2. Low voltage like DC12V 24V options
3. CRI80
4. Grey finished
4. 10KV/20KV SPD options

Package

QTY: 1PCS/CTNS

CTN Size: 74*28*12CM