



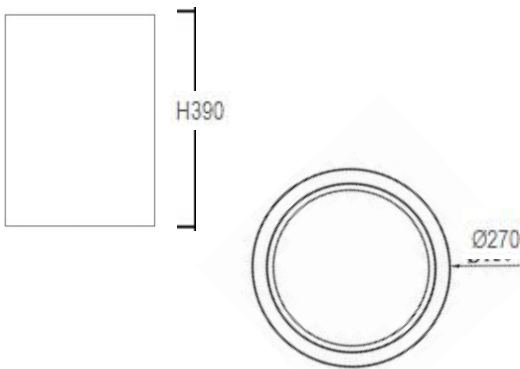
•Description

They are high power downlights, available surface-mounted/suspended-mounted options. Both COB/SMD LED source options, widely for warehouses, high ceiling halls, railway stations, etc

•Specification

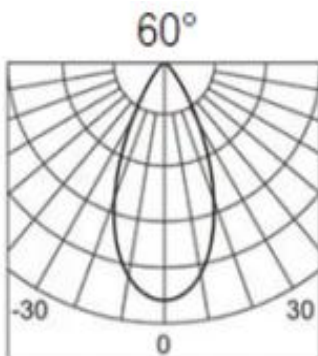
| | |
|------------------|--------------------------------|
| Ref Number | GR-FM-150WR |
| Power | 150Watt ±5% |
| Lumens | 13000-15000lm |
| LED Type | SMD |
| CCT | 2700k-3000K/4000K/5700-6000K |
| CRI | >90 |
| SDCM | < 3 |
| LED driver | Built-in driver included |
| Control Way | ON/OFF |
| Input voltage | 110/ 220-240VAC 50/60Hz |
| Efficiency | >90% |
| Power factor | >0.95 |
| THD | <15% |
| Free flicker | Yes |
| Beam angle | 60° |
| Materials | Die-cast aluminum |
| Finished | Matt White / Black options |
| Insulation class | Class I |
| UGR | <19 anti glare |
| Mounting | Surface/ or Suspension mounted |
| IP Rating | IP20 (IP44 for front) |
| Dimension | Ø270*390mm |
| Cutout | / |
| Working temp | -25°C ~ +50°C |
| Storage temp | -30°C ~ +55°C |
| Standard | CE LVD EMC RoHS |
| Working life | >50000Hrs |
| Warranty | 3Years/5Years |

•Dimension drawing



Unit: mm

•Lighting Distribution



•Options(Additional cost)

- DC12V/24V/36V/48V/60V input
- Matt white/Black finished options
- SDCM<2;
- Triac/0-10V/DALI dimmable options
- Suspension ropes for pendant installation

•Package

QTY: CTN Size:

Gross Weight(KG):