



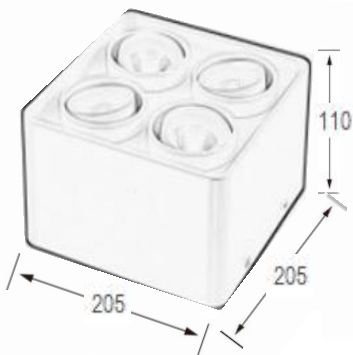
Description

This square downlight adopt deep stylish design, it is ok to be adjustment 25°, 350° rotation and consists of die-cast aluminum heat sink+ CREE/CITIZEN/Bridgelux chips. The housing can be black/white finished. It is widely used for residential area or commercial lighting.

Specification

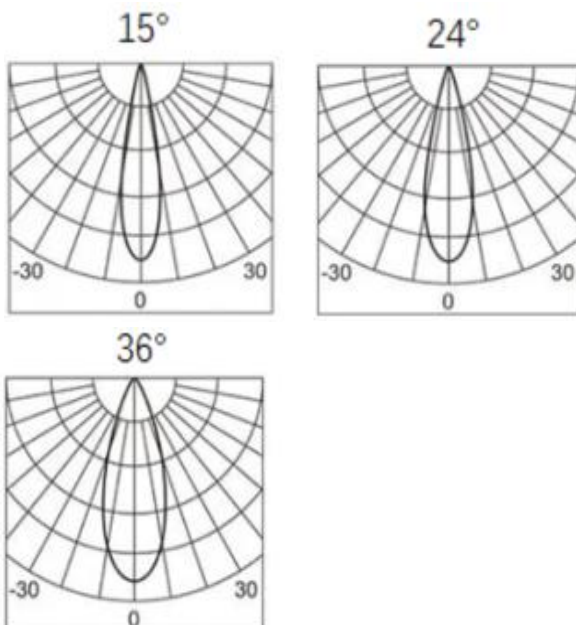
Ref Number	GR-DLG-4*10WH
Power	40Watt ±5%
Lumens	3500-4000lm
LED Type	COB
CCT	2700k-3000K/4000K/5700-6000K
CRI	>92
SDCM	< 3
LED driver	Built-in driver included
Control Way	ON/OFF
Input voltage	110/ 220-240VAC 50/60Hz
Efficiency	>88%
Power factor	>0.9
THD	<15%
Free flicker	Yes
Beam angle	15/24/36° options
Materials	Die-cast aluminum.
Finished	Matt White / Black options
Mounted	Surface
Surge protection	1KV
UGR	<19 anti-glare
IP Rating	IP20 (IP44 for front)
Dimension	L205*W205*H110mm
Insulation class	Class II
Working temp	-25°C ~ +50°C
Storage temp	-30°C ~ +55°C
Standard	CE LVD EMC RoHS
Working life	>50000Hrs
Warranty	3Years/5Years

Dimension drawing



Unit: mm

Lighting Distribution



Options(Additional Cost)

- Emergency back
- Triac/0-10V/DALI dimmable
- Zigbee smart
- Honeycomb

Package

QTY: CTN Size:
Gross Weight(KG):