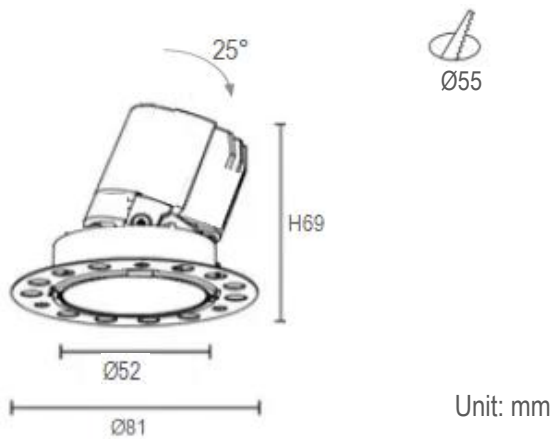
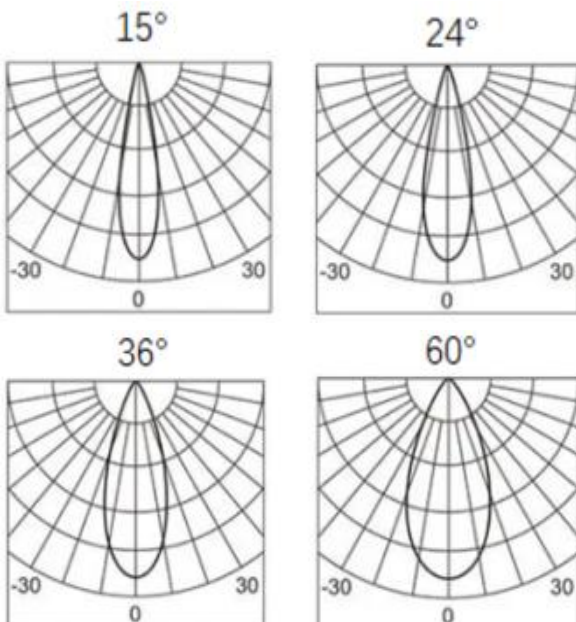




•Dimension drawing



•Lighting Distribution



•Description

LED Downlight adopt trimless design, better to integrated with building. and its heat sink can be rotation about 25° to be wall washer lighting. Top quality body and high CRI, high lumens, and white/black/silver/gold reflectors options. It is also ideal for all commercial lighting applications as well as public indoor space.

•Specification

Ref Number	GR-DL-7WW-2
Power	7Watt ±5%
Lumens	630-700lm
LED Type	COB
CCT	2700k-3000K/4000K/5700-6000K
CRI	>92
SDCM	<3
LED driver	IP20 External driver included
Control Way	ON/OFF
Input voltage	110/ 220-240VAC 50/60Hz
Efficiency	>80%
Power factor	>0.5
THD	<15%
Free flicker	Yes
Beam angle	15/24/36°/60° options
Materials	Die-cast aluminum+ plastic reflector
Reflector color	White/Black/Gun black/Shining silver/gold
UGR	<19 anti-glare
Surge protection	1KV
Insulation class	Class II
IP Rating	IP65
Dimension	Ø81*H69mm (body Dia:Ø52mm)
Cutout	Ø55mm
Working temp	-25°C ~ +50°C
Storage temp	-30°C ~ +55°C
Standard	CE LVD EMC RoHS
Working life	>50000Hrs
Warranty	3Years/5Years

•Options

- Emergency backup
- Triac/0-10V/DALI dimmable
- SDCM<2;
- PF>0.9
- Waterproof LED driver with class III

•Package

QTY: CTN Size:
Gross Weight(KG):