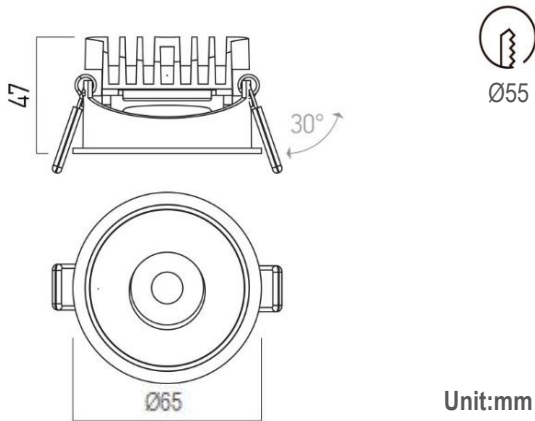


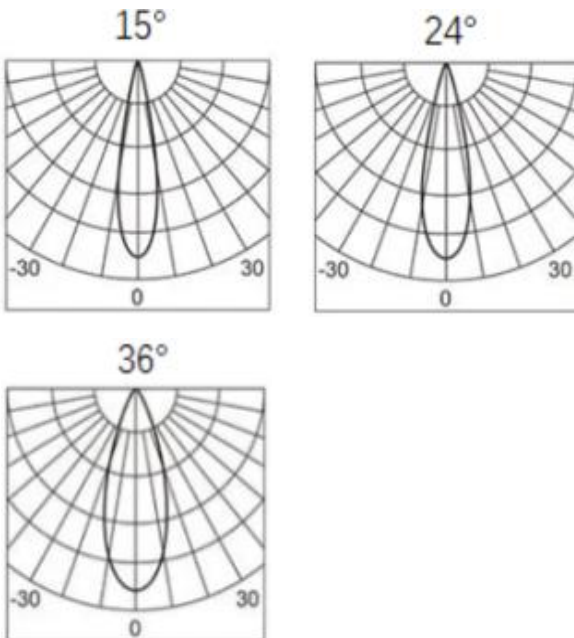


•Dimension drawing



Unit:mm

•Lighting Distribution



•Description

This recessed spotlight is adjustable. It is designed as an ultra-thin heat sink for a low profile. The height is less than 50mm, very slim, and adjustable to 30°, making it suitable for use as a wall washer downlight and widely used in residential and commercial areas with low ceilings. The light body can be white/black options as well.

•Specification

Ref Number	GR-DL-7WE-3
Power	7Watt ±5%
Lumens	600-700lm
LED Type	COB
CCT	2700k-3000K/4000K/5700-6000K
CRI	>92
SDCM	< 3
LED driver	External driver included
Control Way	ON/OFF
Input voltage	110/ 220-240VAC 50/60Hz
Efficiency	>80%
Power factor	>0.5
THD	<15%
Free flicker	Yes
Beam angle	15/24/36° options
Materials	Die-cast aluminum+plastic reflector
Finished	White / Black options
Reflector color	White/black/Gunblack/shining silver/gold
Surge protection	1KV
Mounting	Recessed
IP Rating	IP20 (IP44 for front)
Dimension	Ø65*H47mm
Cutout	Ø55mm
Working temp	-25°C ~ +50°C
Storage temp	-30°C ~ +55°C
Standard	CE LVD EMC RoHS
Working life	>50000Hrs
Warranty	3Years/5Years
Insulation class	Class II

•Options(Additional Cost)

- Emergency backup
- Triac/0-10V/DALI dimmable
- SDCM:2
- PF>0.9

•Package

QTY:100PCS/CTN CTN Size: 55*32*45CM
Gross Weight(KG):9.5KG/CTN