



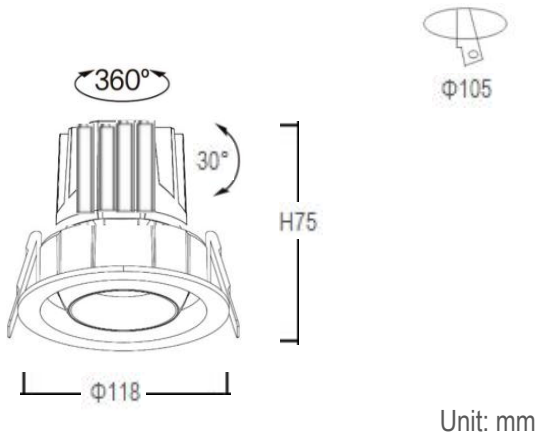
Description

LED Downlight adopt eyeball design with low glare value, the eyeball colors and trim can be White/Black options. It is 360° rotation +30° adjustable direction for lighting. Widely used for commercial areas. . The lamp body and reflector are available in black and white to meet the diverse lighting needs of residential and commercial applications

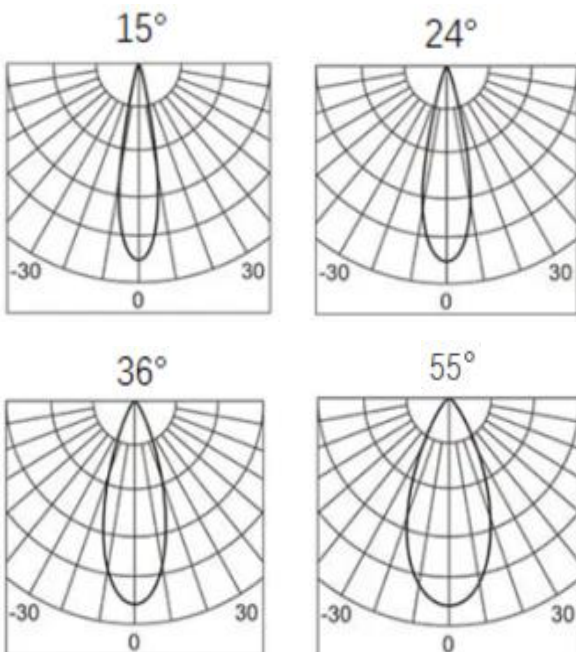
Specification

| | |
|------------------|------------------------------|
| Ref Number | GR-DL-30WG-9 |
| Power | 30Watt ±5% |
| Lumens | 2700-3000lm |
| LED Type | COB |
| CCT | 2700k-3000K/4000K/5700-6000K |
| CRI | >92 |
| SDCM | < 3 |
| LED driver | External driver included |
| Control Way | ON/OFF |
| Input voltage | 110/ 220-240VAC 50/60Hz |
| Efficiency | >87% |
| Power factor | >0.9 |
| THD | <15% |
| Free flicker | Yes |
| Beam angle | 15/24/36/55° options |
| Materials | Die-cast aluminum |
| Finished | White / Black options |
| UGR | <19 anti glare |
| Surge protection | 1KV |
| Mounting | Recessed |
| IP Rating | IP20 (IP44 for front) |
| Dimension | Φ118*75mm |
| Cutout | Ø105mm |
| Working temp | -25°C ~ +50°C |
| Storage temp | -30°C ~ +55°C |
| Standard | CE LVD EMC RoHS |
| Working life | >50000Hrs |
| Warranty | 3Years/5Years |
| Insulation class | Class II |

Dimension drawing



Lighting Distribution



Options(Additional Cost)

- Emergency backup
- Triac/0-10V/DALI dimmable
- SDCM:2

Package

QTY: CTN Size:
Gross Weight(KG):