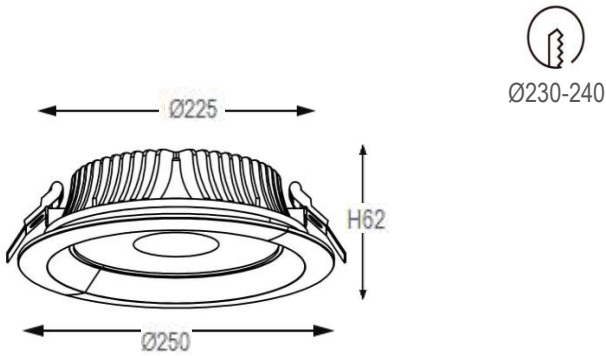


GR-DL-30WA 9inch Recessed Downlight

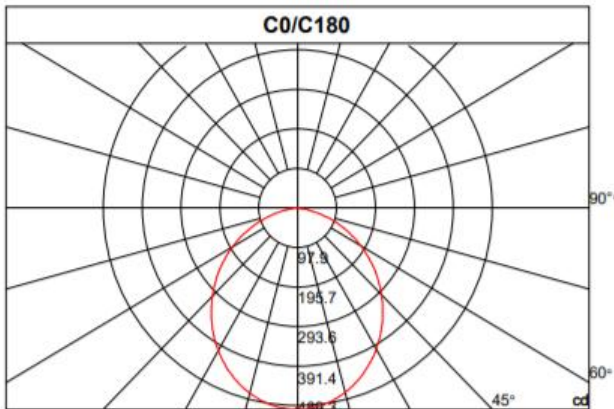


•Dimension drawing



Unit:mm

•Lighting Distribution



•Description

Here are both COB/SMD LED chip type, and the ceiling hole is compatible with 200mm-240mm cutouts. It is an ideal retrofit solution for replacing traditional, outdated downlight fixtures.

•Specification

Ref Number	GR-DL-30WA-9in
Power	30Watt ±5%
Lumens	2700-3000lm
LED Type	SMD or COB
CCT	2700k-3000K/4000K/5700-6000K
CRI	>80
SDCM	< 3
LED driver	External driver included
Control Way	ON/OFF
Input voltage	110/ 220-240VAC 50/60Hz
Efficiency	>87%
Power factor	>0.9
THD	<15%
Free flicker	Yes
Beam angle	120°
Materials	Die-cast aluminum+
Finished	White / Black options
Cover	Glass for COB; PC cover for SMD
Surge protection	1KV
Insulation class	Class II
IP Rating	IP20 (IP44 for front)
Dimension	Ø250*H62mm
Cutout	Ø230-240mm
Working temp	-25°C ~ +50°C
Storage temp	-30°C ~ +55°C
Standard	CE LVD EMC RoHS
Working life	>50000Hrs
Warranty	3Years/5Years

•Options(Additional Cost)

- CIR90
- Triac/0-10V/DALI dimmable
- SDCM:2
- 12V/24VDC input
- Emergency backup

•Package

QTY: CTN Size:

Gross Weight(KG):