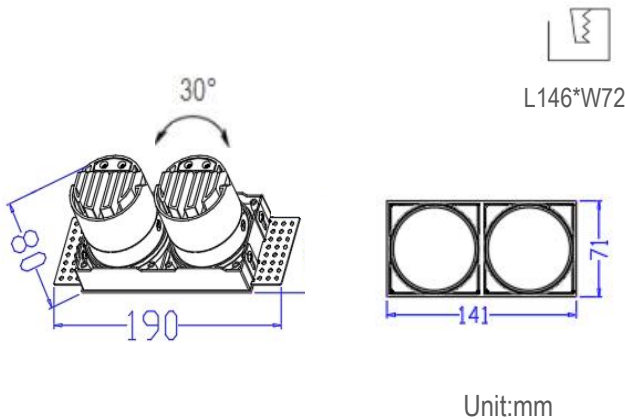
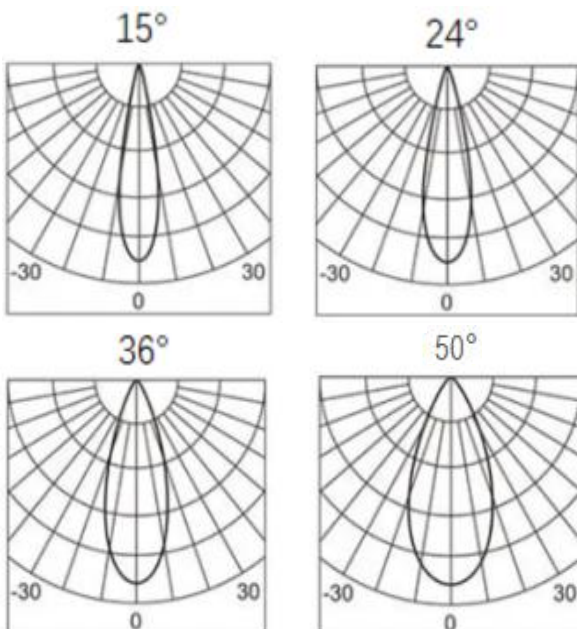




•Dimension drawing



•Lighting Distribution



•Description

The square recessed downlights are trimless designs . It is an adjustable 30° direction; the reflectors can be matt black, white, matt silver, gun black, or gold options. They are widely used for different commercial lighting projects .

•Specification

Ref Number	GR-DL-2*10WV-1
Power	2*10Watt ±5%
Lumens	1750-2000lm
LED Type	COB
CCT	2700k-3000K/4000K/5700-6000K
CRI	>92
SDCM	< 3
LED driver	External driver included
Control Way	ON/OFF
Input voltage	110/ 220-240VAC 50/60Hz
Efficiency	>84%
Power factor	>0.5
THD	<15%
Free flicker	Yes
Beam angle	15/24°/36° /50° options
Materials	Die-cast aluminum+reflectors
Reflector	Plastic
Reflector color	Black/white/shining silver/gold/gun black.
Surge protection	1KV
UGR	<15
IP Rating	IP20 (IP44 for front)
Dimension	L190*W71*H80mm
Cut out	L146*W72mm
Working temp	-25°C ~ +55°C
Storage temp	-30°C ~ +60°C
Standard	CE LVD EMC RoHS
Working life	>50000Hrs
Warranty	3Years/5Years
Insulation class	Class II

•Options(Additional Cost)

- Emergency backup
- Triac/0-10V/DALI dimmable
- SDCM:2
- PF>0.9
- LED driver with Plug

•Package

QTY: CTN Size:
Gross Weight(KG):