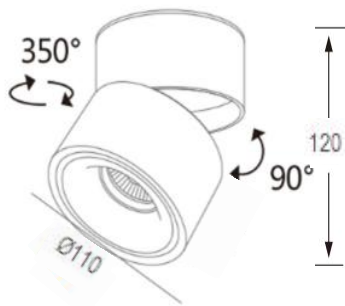


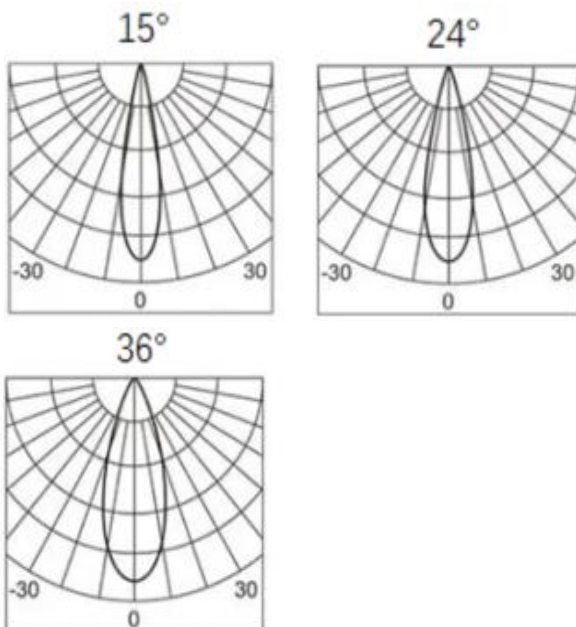


•Dimension drawing



Unit: mm

•Lighting Distribution



•Description

This adjustable Swivel spotlight features a stylish cylindrical design, perfect for homes, offices, and retail spaces. This compact, surface-mounted fixture offers a 24-degree beam angle, 350-degree rotation, and 90-degree tilt for precise illumination. Available in black and white, it supports non-dimming, trailing-edge dimming, and DALI dimming for added versatility.

•Specification

| | |
|------------------|---|
| Ref Number | GR-DL-20WZ-3 |
| Power | 20Watt ±5% |
| Lumens | 1800-2000lm |
| LED Type | COB |
| CCT | 2700k-3000K/4000K/5700-6000K |
| CRI | >92 |
| SDCM | < 3 |
| LED driver | built-in driver included |
| Control Way | ON/OFF |
| Input voltage | 110/ 220-240VAC 50/60Hz |
| Efficiency | >86% |
| Power factor | >0.5 |
| THD | <15% |
| Free flicker | Yes |
| Beam angle | 15/24/36° options |
| Materials | Die-cast aluminum. |
| Finished | Matt White / Black options |
| Reflector color | White/black/Gold/Shining silver options |
| Surge protection | 1KV |
| UGR | <19 anti-glare |
| IP Rating | IP20 (IP44 for front) |
| Dimension | Ø110*H120mm |
| Cutout | / |
| Working temp | -25°C ~ +50°C |
| Storage temp | -30°C ~ +55°C |
| Standard | CE LVD EMC RoHS |
| Working life | >50000Hrs |
| Warranty | 2/3Years/5Years |
| Insulation class | Class II |

•Options

- DC12V/24V/36V/48V/60V input
- Triac/0-10V/DALI dimmable
- SDCM<2
- PF:>0.8

•Package

QTY: CTN Size:
Gross Weight(KG):