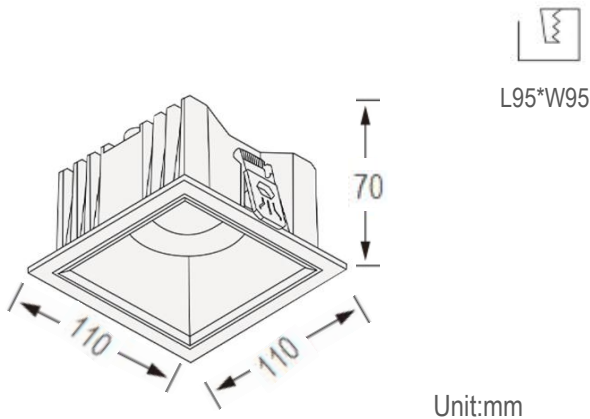
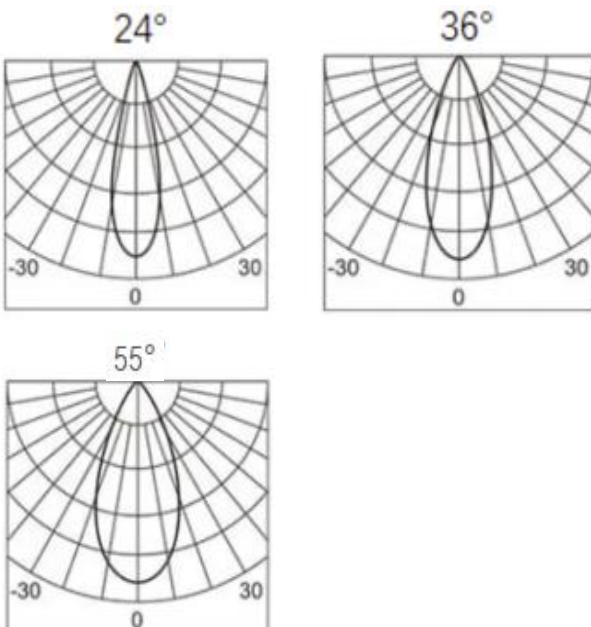




## •Dimension drawing



## •Lighting Distribution



## •Description

LED downlights are designed with a square shape, and with a waterproof structure to IP65 waterproof performance. Deep reflectors with a low glare, UGR< 17, Available in white, black, silver, and gold for reflector selection. It is widely used for moisture areas like bathrooms, washrooms, balconies, etc. Two type LED chips for different beam angle.

## •Specification

Ref Number	GR-DL-12WW-7
Power	12Watt ±5%
Lumens	1000-1200lm
LED Type	SMD or COB
CCT	2700k-3000K/4000K/5700-6000K
CRI	>90
SDCM	< 3
LED driver	IP20 External driver included
Control Way	ON/OFF
Input voltage	110/ 220-240VAC 50/60Hz
Efficiency	>86%
Power factor	>0.5
THD	<15%
Free flicker	Yes
Beam angle	24°/36° for COB; 55° for SMD
Materials	Die-cast aluminum+Plastic reflectors
Finished	White / Black options
Reflector	Black/white/shining silver/gold/gun black.
Surge protection	1KV
UGR	<17
IP Rating	IP65 for light body
Dimension	L110*W110*H70mm
Cut out	L95*W95mm
Working temp	-25°C ~ +55°C
Storage temp	-30°C ~ +60°C
Standard	CE LVD EMC RoHS
Working life	>50000Hrs
Warranty	3Years/5Years
Insulation class	Class II

## •Options(Additional Cost)

- Emergency backup
- Triac/0-10V/DALI dimmable
- SDCM:2
- PF>0.9
- IP65 Waterproof LED driver

## •Package

QTY: CTN Size:  
Gross Weight(KG):