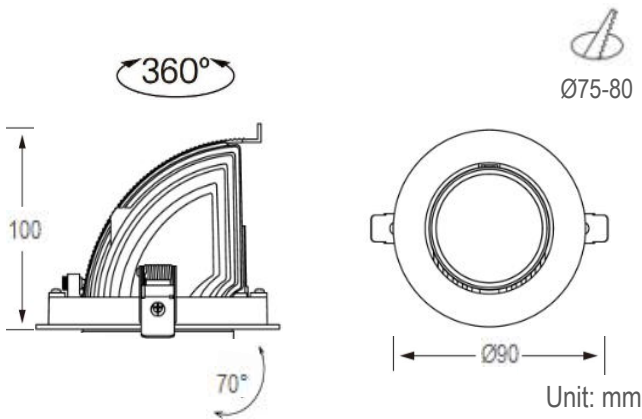
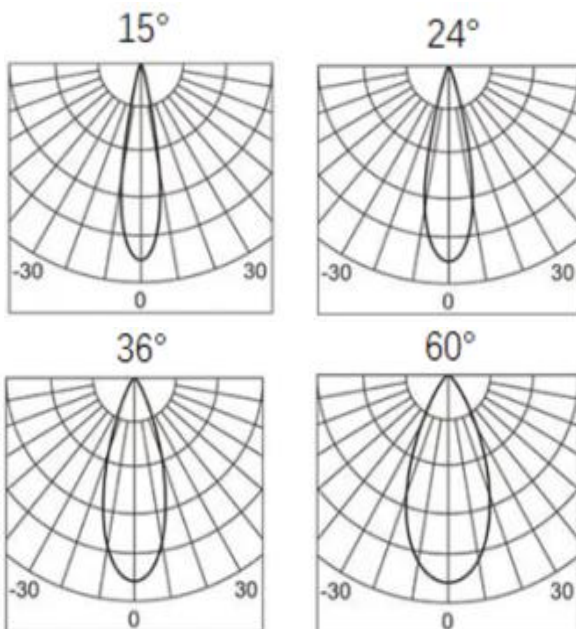




•Dimension drawing



•Lighting Distribution



•Description

The standout feature of the gimbal LED downlight is its adjustable head for directional lighting. This flexibility offers 360° horizontal rotation and can be adjusted up to 70° vertically. You can hide the lights within the outer ring for vertical directional lighting or extend them for wall-washing spotlights. The ability to direct light precisely makes it a popular choice for a wide range of commercial lighting applications.

•Specification

| | |
|------------------|------------------------------|
| Ref Number | GR-DL-10WG-17 |
| Power | 10Watt ±5% |
| Lumens | 900-1000lm |
| LED Type | COB |
| CCT | 2700k-3000K/4000K/5700-6000K |
| CRI | >92 |
| SDCM | < 3 |
| LED driver | External driver included |
| Control Way | ON/OFF |
| Input voltage | 110/ 220-240VAC 50/60Hz |
| Efficiency | >86% |
| Power factor | >0.5 |
| THD | <15% |
| Free flicker | Yes |
| Beam angle | 15/24/36°/60° options |
| Materials | Die-cast aluminum. |
| Finished | Matt White / Black options |
| UGR | <19 anti-glare |
| Surge protection | 1KV |
| Mounting | recessed |
| IP Rating | IP20 (IP44 for front) |
| Dimension | Ø90*H100mm |
| Cutout | Ø75-80mm |
| Working temp | -25°C ~ +50°C |
| Storage temp | -30°C ~ +55°C |
| Standard | CE LVD EMC RoHS |
| Working life | >50000Hrs |
| Warranty | 2/3Years/5Years |
| Insulation class | Class II |

•Options

- DC12V/24V/36V/48V/60V input
- Triac/0-10V/DALI dimmable
- SDCM<2
- Emergency backup

•Package

QTY: CTN Size:
Gross Weight(KG):