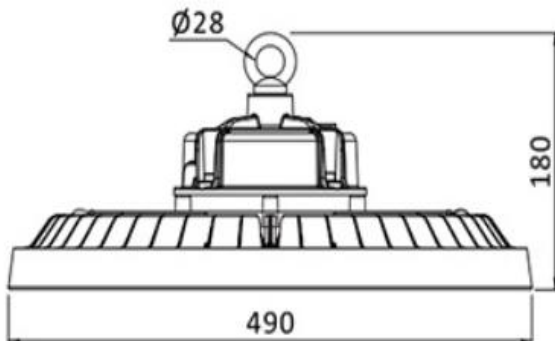


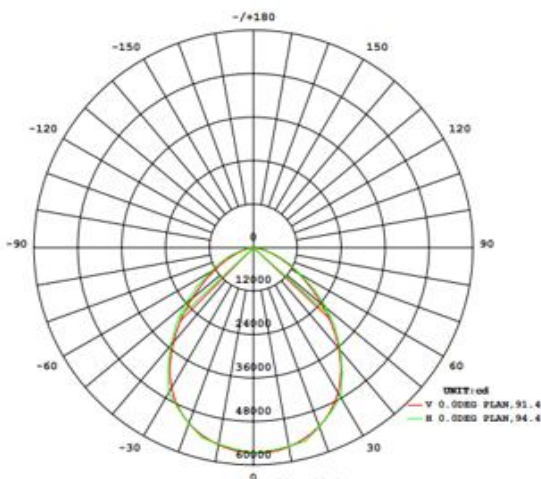


•Dimension drawing



Unit: mm

•Lighting Distribution



•Description

Two LED driver types are available- Round LED driver or Square LED driver with a bracket for this 400W highbay light. They deliver high-lumen illumination comparable to traditional HID lighting but with significantly lower wattage. Ideal for large factories, warehouses, port yards, stadiums, mining areas, and high-ceiling commercial venues with mounting heights exceeding 100 feet. .

•Specification

Model	GR-HB-500WB-1
Type	Round
Power	480Watt ±5%
Dimension	Ø490*180mm
LED Type	Lumileds SMD
Lumens	75000-77000lm
CCT	3000K/4000K/6000K options
CRI	70
SDCM	<5
LED driver	External driver included
Input voltage	110-277VAC 50/60Hz
Efficiency	>90%
Power factor	>0.95
THD	<15%
Free flicker	Yes
Materials	Die-cast aluminum+PC cover.
Finished	Black
Hook	Included
Surge protection	4/6KV
IP IK Rating	IP65 IK08
Beam angle	60°/90°/120°
Working temp	-25°C ~ +50°C
Storage temp	-30°C ~ +55°C
Standard	CE LVD EMC RoHS
Working life	>50000Hrs
Warranty	3Years
Control Way	ON/OFF

•Options

- DC12V/24V/36V/48V/60V input
- Triac/0-10V/DALI dimmable
- CRI80
- Warranty: 5Years
- Emergency backup (3W-5W with 1-3hrs)

Package

Package: 1PCS/CTNS/11.4KG
CTN Size: 54*54*21CM