

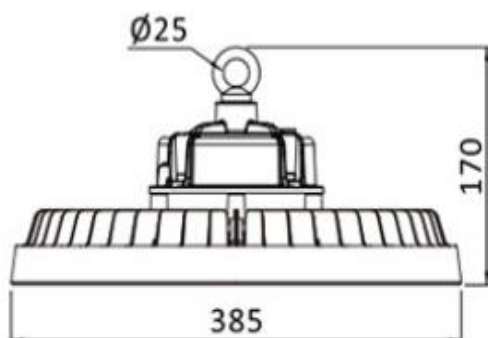
•Description

Two LED driver types are available- Round LED driver or Square LED driver with a bracket for this 300W highbay light. They deliver high-lumen illumination comparable to traditional HID lighting but with significantly lower wattage. Ideal for large factories, warehouses, port yards, stadiums, mining areas, and high-ceiling commercial venues with mounting heights exceeding 100 feet. .

•Specification

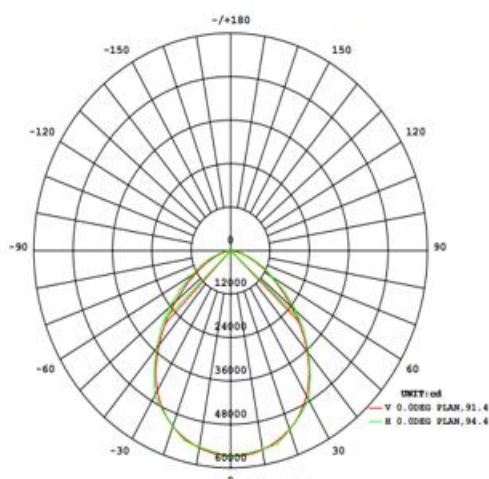
| | |
|------------------|-----------------------------|
| Model | GR-HB-300WB-1 |
| Type | Round |
| Power | 300Watt ±5% |
| Dimension | Ø385*170mm |
| LED Type | Lumileds SMD |
| Lumens | 45000-48000lm |
| CCT | 3000K/4000K/6000K options |
| CRI | 70 |
| SDCM | <5 |
| LED driver | External driver included |
| Input voltage | 110-277VAC 50/60Hz |
| Efficiency | >90% |
| Power factor | >0.95 |
| THD | <15% |
| Free flicker | Yes |
| Materials | Die-cast aluminum+PC cover. |
| Finished | Black |
| Hook | Included |
| Surge protection | 4/6KV |
| IP IK Rating | IP65 IK08 |
| Beam angle | 60°/90°/120° |
| Working temp | -25°C ~ +50°C |
| Storage temp | -30°C ~ +55°C |
| Standard | CE LVD EMC RoHS |
| Working life | >50000Hrs |
| Warranty | 3Years |
| Control Way | ON/OFF |

•Dimension drawing



Unit: mm

•Lighting Distribution



•Options

- DC12V/24V/36V/48V/60V input
- Triac/0-10V/DALI dimmable
- CRI80
- Warranty: 5Years
- Emergency backup (3W-5W with 1-3hrs)

Package

Package: 1PCS/CTNS/4KG
 CTN Size: 42*42*17CM