



ADJUSTABLE SPOTLIGHT

Ref No: GR-DL-35WA-9(95)



1. Normal deep reflector

OR 2. Eyeball deep reflector

This recessed adjustable spotlight is the latest design, small size to be high power, such as 83mm diameter with cutout 75mm to be 20Watt, and cutout 95mm to be 35W Max, what is more ,it includes two different reflector structure design, one type is normal deep reflector, the other is eyeball reflector design. They are all available in adjustable direction 30°.

Complete Product Data

| | |
|-----------------------|---------------------------------------|
| Order Number | GR-DL-35WA-9 (95) |
| Total Wattage | 35W±5% (available to do 30W if need) |
| Mounting Type | Recessed mounted |
| Dimension(mm) | Φ108*124mm |
| Outcut(mm) | Φ95mm |
| IP Grade | IP22 (IP44 for front) |
| Luminaries Lumens | 90-100lm/W output |
| Beam angle | 15/24/36° |
| Working temperature | -30°C ~ +55°C |
| Certificates standard | CE LVD EMC RoHS |
| Warranty | 3/5Years |
| Package | / |

Electrical Data

| | |
|------------------|--|
| LED driver brand | Eagleries/LiFud driver brand options |
| Input voltage | 220-240VAC 50/60Hz |
| Output voltage | 30-42Vdc |
| Output current | 750-900mA |
| Power Factor | >0.9 |
| Surge protection | 1KV |
| Efficiency | >87% @230V |
| IP Grade | IP20 |
| THD | <15% @230V |
| Dimmable | No, but available to select it as Triac/0-10V/DALI if needed |
| Free flicker | Yes |
| Protection | Short circuit, open circuit, overcurrent, overvoltage protection |
| Certificates | CE,ENEC,RCM CB, CCC |
| Warranty | 3/5Years |

Material&Housing Data

| | |
|------------------|---|
| Housing Color | White trim and black heat sink |
| Housing Material | Aluminum |
| Cover material | / |
| Reflector | polycarbonate, white as standard, black/shining silver optional |
| Lens | / |
| Clips | Metal |



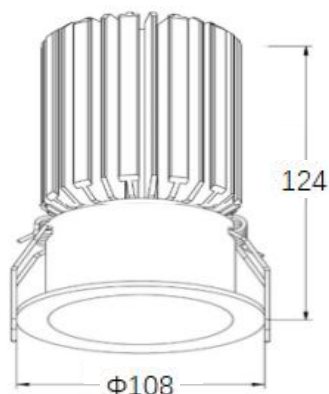
Photometric Data

| | |
|--------------------|--|
| LED chip brand | Bridgelux |
| Chip type | COB |
| Color temperature | 2700-2800K/3000-3200K/4000-4500K/ 5700-6000K/ 6000-6500K |
| CRI | >Ra90 |
| Life time | >50000Hrs |
| Lumens | 110-130lm/W |
| SDCM | <5 or <3 |
| Lumens maintenance | 99.9%@1000hrs/ 99%@3000hrs /98%@10000hrs. (LM80) |

Optional

| | |
|----------------------|--|
| Dimming Type | Triac dim/ 0-10V dim/ DALI dimmable optional |
| Dimming driver brand | EAGLE RISE KOPU |
| Emergency backup | Battery backup with 1- 3Hours for 2-5Watt |

Dimension



Unit:mm

Lighting Distribution

