



## RECESSED DOWNLIGHT

Ref No: GR-DL-50WA



LED Downlight adopt a top quality aluminum as housing+glass cover and bridgelux /Osram chips,delivers a superior LED alternative that's up to 60% more energy efficient than the conventional downlight retrofits. It is also ideal for all commercial lighting applications.

### Complete Product Data

Order Number	GR-DL-50WA
Total Wattage	50W±5%
Mounting Type	Recessed mounted
Dimension(mm)	Ø230*H110mm
Outcut(mm)	Ø205-210mm
IP Grade	IP42
Luminaries Lumens	4850-5400lm
Beam angle	120°
Working temperature	-25°C ~ +55°C
Certificates standard	CE LVD EMC RoHS
Warranty	3/5Years
Package	/

### Control Gear/Driver Data

LED driver brand	LiFud/GuanX/Eagleries/Osram/Philips
Input voltage	220-240VAC 50/60Hz
Output voltage	30-42Vdc
Output current	1200mA
Power Factor	>0.9
Surge protection	1-2KV
Efficiency	>88% @230V
IP Grade	IP22
THD	<10% @230V
Dimmable	No, but available to select it as Triac/0-10V/DALI if needed
Free flicker	Yes
Protection	Open Circuit Protection / short Circuit protection/
Certificates	CCC、RCM、CE、CB
Warranty	3/5Years

## Material&Housing Data

Housing Color	White finished
Housing Material	Aluminum
Lens	/
Cover	Glass, clear or frosted cover options
Fixation material	Steel
Connector	Quickly connectors

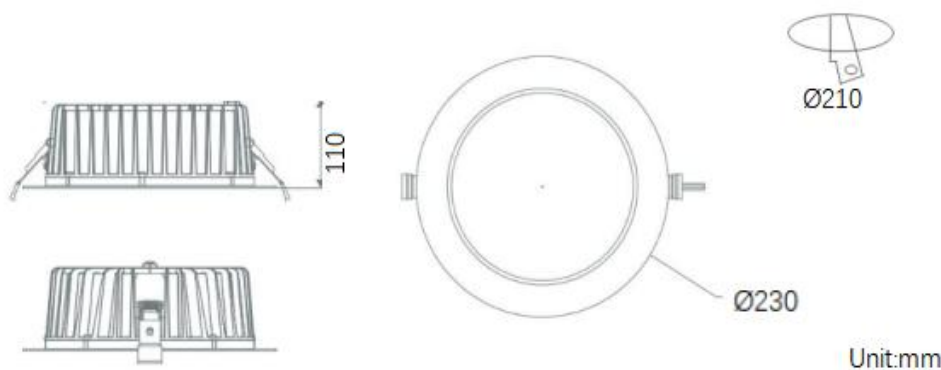
## Photometric Data

LED chip brand	Bridgelux / Osram
Chip type	COB
Color temperature	2700-2800K/3000-3200K/4000-4500K/ 5700-6000K/ 6000-6500K
CRI	>Ra90 (97 Max)
Life time	>50000Hrs
Lumens	120-140lm/W
SDCM	<5 or <3
Lumens maintenance	99.9%@1000hrs/ 99%@3000hrs /98%@10000hrs. (LM80)

## Optional

Dimming Type	Triac dim/ 0-10V dim/ DALI dimmable optional
Dimming driver brand	<b>KOPU</b> <b>EAGLERISE</b> <b>OSRAM</b> <b>EUCHIPS</b> <b>LIFUD</b>
Emergency backup	Battery backup with 3Hours for 3-5Watt

## Dimension & Install



## Lighting Distribution

