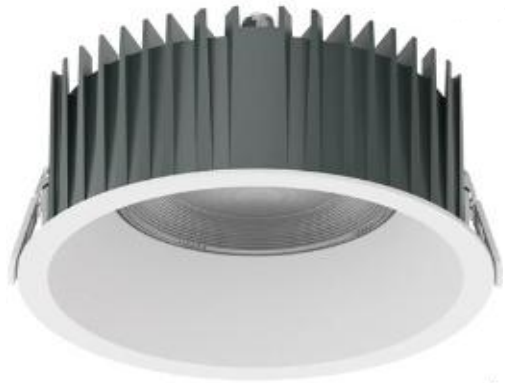


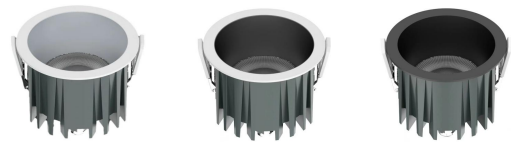


TOP RECESSED DOWNLIGHT

Ref No: GR-DL-40WB-02



This is the top quality recessed fixed led downlight, with a deep & anti-glare design. Its lens is a special structure with up to high lumen output and Bridgelux or OSRAM chips. The trim is white/black optional; and the reflector includes white, black, or matt silver available. Suitable for high-quality commercial projects. The function like dimmable, CCT selectable, Zigbee, and emergency can be options.



Complete Product Data

Order Number	GR-DL-40WB-02
Total Wattage	40W±5%
Mounting Type	Recessed mounted
Dimension(mm)	Ø180*85mm
Outcut(mm)	Ø170mm
IP Grade	IP54 waterproof
Luminaries Lumens	4000-4800lm
Beam angle	50°
Working temperature	-25°C ~ +55°C
Certificates standard	CE LVD EMC RoHS
Warranty	3/5Years
Package	/

Control Gear/Driver Data

LED driver brand	LiFud <small>EAGLERISE</small>
Input voltage	220-240VAC 50/60Hz
Output voltage	30-42Vdc
Output current	950-1000mA
Power Factor	>0.9
Surge protection	1KV
Efficiency	>87% @230V
IP Grade	IP20
THD	<15% @230V
Dimmable	No, but available to select it as Triac/0-10V/DALI if needed
Free flicker	Yes
Protection	Open Circuit Protection / short Circuit protection/
Certificates	CCC、RCM、CE、CB
Warranty	3/5Years

Material&Housing Data

Housing Color	White Trim finished as standard; black trim is optional
Housing Material	Aluminum
Heat sink	Die-cast aluminum, black finished
Reflector material	Aluminum, silver,black and white optional
Gland	Steel, waterproof
Connector	Quickly connectors

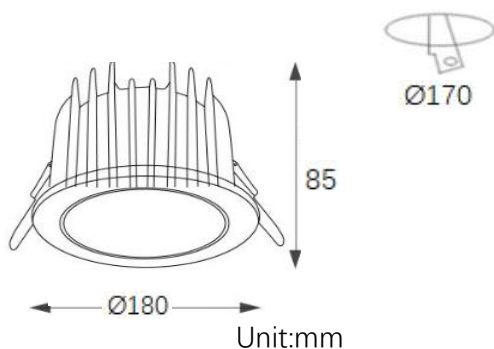
Photometric Data

LED chip brand	Bridgelux / Osram
Chip type	SMD/COB
Color temperature	2700-2800K/3000-3200K/4000-4500K/ 5700-6000K/ 6000-6500K
CRI	>Ra90
Life time	>50000Hrs
Lumens	140-160lm/W
SDCM	<5
Lumens maintenance	99.9%@1000hrs/ 99%@3000hrs /98%@10000hrs. (LM80)

Optional

Dimming Type	Triac dim/ 0-10V dim/ DALI dimmable optional
Dimming driver brand	KOPU EAGLERISE OSRAM EUCHIPS Lifud
Emergency backup	Battery backup with 1-3Hours for 2-5Watt

Dimension



Lighting Distribution

