



LED TRIPROOF BATTEN

Ref No: GR-TP-5F2K (60W)

CE RoHS     



LED Trip-proof batten is a superior LED alternative that's up to 60% more energy efficient than the conventional light. It is with SMD LED Chips, highest brightness, and PC body with stainless steel clips. Protection level up to IP65, it is working well in bad environments. Widely used for warehouse, parking lots, residential or commercial, industrial areas.

Complete Product Data

Order Number	GR-TP-5F2K (60W)
Total Wattage	60W±5%
Mounting Type	Surface as standard, suspended optional by steel ropes
Dimension(mm)	L1500*W110*H80mm
Outcut(mm)	/
IP Grade	IP65
Luminaries Lumens	6800-7400lm
Beam angle	120°
Working temperature	-30°C ~ +55°C
Certificates standard	CE LVD EMC RoHS
Warranty	3/5Years
Package	/

Electrical Data

LED driver brand	Osram / LiFud / Eagleries
Input voltage	220-240VAC 50/60Hz
Output voltage	30-42Vdc
Output current	1450-1500mA
Power Factor	>0.9
Surge protection	1-2KV
Efficiency	>90% @230V
IP Grade	IP22
THD	<10% @230V
Dimmable	No, but available to select it as Triac/0-10V/DALI if needed
Free flicker	Yes
Protection	Short circuit, open circuit, overcurrent, overvoltage protection
Certificates	TUV, CCC, RCM, CE, CB
Warranty	3/5Years

Material&Housing Data

Housing Color	Grey
Housing Material	PC bottom
Cover material	PC Cover, Milky color
Gland connector	Plastic
Surface part	Steel
Clips	Steel clips



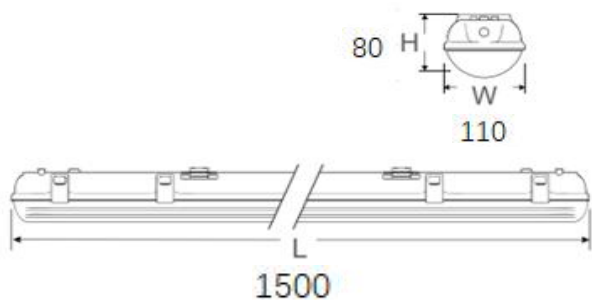
Photometric Data

LED chip brand	Bridgelux / Osram / Lumileds
Chip type	SMD 2835
Color temperature	2700-2800K/3000-3200K/4000-4500K/ 5700-6000K/ 6000-6500K
CRI	>Ra80
Life time	>50000Hrs
Lumens	120-140lm/W
SDCM	<5
Lumens maintenance	99.9%@1000hrs/ 99%@3000hrs /98%@10000hrs. (LM80)

Optional

Dimming Type	Triac dim/ 0-10V dim/ DALI dimmable and Emergency backup optional
Dimming driver brand	EAGLERISE  EUCHIPS
Emergency backup	Battery backup with 3Hours for 3-5Watt
Pendant accessories	steel ropes 2pcs/sets, 1m long

Dimension



Unit:mm

Lighting Distribution

