

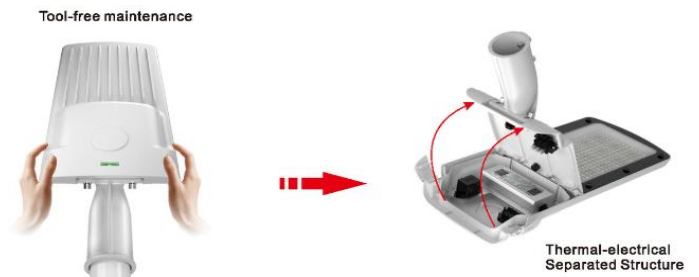


## LED ADJUSTABLE STREETLIGHT

Ref No: GR-SL-150WH



This street lights adopts latest design--adjustable joint+ Tool free,and it is also available to added safe cut-off switch. It is consist of top quality aluminum housing and chips,led driver, it is the best solution to do high level projects and to win bids. Top materials such as aluminum housing,isolated driver with 6/10/20kv surge protection which will keep its stable quality.



## Complete Product Data

|                       |                                    |
|-----------------------|------------------------------------|
| Order Number          | GR-SL-150WH                        |
| Total Wattage         | 150W±5%                            |
| Install pole diameter | D60mm                              |
| Dimension(mm)         | 700x260x110mm                      |
| Outcut(mm)            | /                                  |
| IP Grade              | IP66                               |
| Luminaries Lumens     | 18000-24000lm                      |
| Beam angle            | 60°/90°/120°/T2M/T3M/T4M(70°x140°) |
| Working temperature   | -25°C ~ +60°C                      |
| Certificates standard | CE LVD EMC RoHS                    |
| Warranty              | 3/5Years                           |
| Package               | /                                  |

## Control Gear/Driver Data

|                     |  |
|---------------------|--|
| LED driver Type     | Philips/Moso/Meanwell/SUNCOM brand                               |
| Input voltage       | 220-240VAC 50/60Hz   |
| Output voltage      | 36-48Vdc   |
| Output current      | 2500-2800mA  |
| Power Factor        | >0.95  |
| Surge protection    | 6-10KV   |
| Efficiency          | >91% @230V   |
| IP Grade            | IP66   |
| THD                 | <10% @230V   |
| Dimmable            | No   |
| Working temperature | -25°C ~ +55°C  |
| Protection          | Short circuit, open circuit, overcurrent, overvoltage protection |
| Certificates        | TUV CE ROHS SAA ENEC   |
| Warranty            | 3/5Years   |

## Material&Housing Data

|                  |   |
|------------------|---|
| Housing Color    | Grey  |
| Housing Material | Die-cast aluminum   |
| Cover material   | Toughed glass   |
| Reflector        | Nano reflective material  |
| Bracket          | /   |
| Cable            | High temperature resistant, anti-aging, insulated rubber cable. |

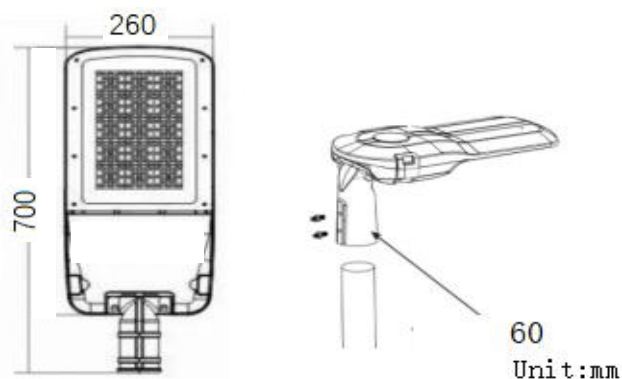
## Photometric Data

|                    |  |
|--------------------|--|
| LED chip brand     | Philips  |
| Chip type          | SMD 3030   |
| Color temperature  | 3000-3200K/4000-4500K/ 5700-6000K                |
| CRI                | >Ra70  |
| Life time          | >50000Hrs  |
| Lumens             | 140-180lm/W                                      |
| SDCM               | <5   |
| Lumens maintenance | 99.9%@1000hrs/ 99%@3000hrs /98%@10000hrs. (LM80) |

## Optional

|                      |   |
|----------------------|---|
| Dimming Type         | PMW/0-10V/DALI dimmable optional          |
| Dimming driver brand | <b>MOSO</b> <b>MEAN WELL</b> <b>OSRAM</b> |
| SPD                  | 10KV/20KV SPD                             |
| Input voltage        | AC/DC12V/24V/48V optional                 |
| Photocell            | Yes, dusk to dawn device optional         |

## Dimension



## Lighting Distribution

