



## SURFACE LED PANEL LIGHT

Ref No: GR-PL6030-24WF



This panel light adopts surface mounted design and backlit structure without any LGP, avoiding yellowing change. And it is lens cover for led chips, good lighting performance, all led chips stick on the bottom of fixture, with perfect heat dissipation performance, which will be longer lifetime for luminaires. Widely used for offices, schools, hotels, hospitals etc.

### Complete Product Data

Order Number	GR-PL6030-24WF
Total Wattage	24W±5% (30W-36W Max)
Mounting Type	Surface mounted
Dimension(mm)	600*300*H40mm
Outcut(mm)	/
IP Grade	IP44
Luminaries Lumens	2400-2800lm
Beam angle	120°
Working temperature	-30°C ~ +55°C
Certificates standard	CE LVD EMC RoHS
Warranty	3/5Years
Package	/

### Electrical Data

LED driver brand	GuanX/LiFud/ Eagleries/Osram brand
Input voltage	110/220-240V/277VAC 50/60Hz
Output voltage	30-42Vdc
Output current	550-600mA
Power Factor	>0.5 OR >0.9
Surge protection	1-2KV
Efficiency	>86% @230V
IP Grade	IP22
THD	<15% @230V
Dimmable	No, but available to select it as Triac/0-10V/DALI if needed
Free flicker	Yes
Protection	Short circuit, open circuit, overcurrent, overvoltage protection
Certificates	CCC、RCM、CE、CB
Warranty	3/5Years

## Material&Housing Data

Housing Color	White as standard
Housing Material	Aluminum trim
Cover material	polycarbonate Cover
Bottom thickness	>2.5mm
Bottom materials	Metal
Surface part	Metal

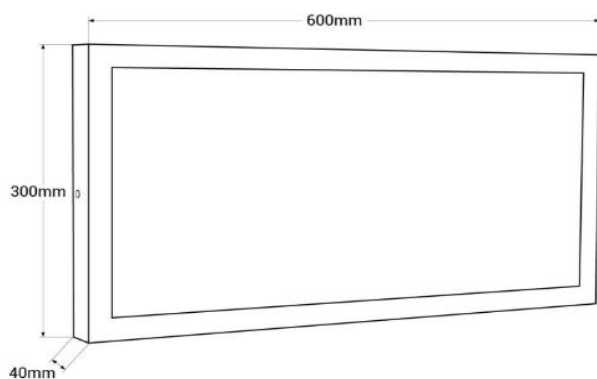
## Photometric Data

LED chip brand	Bridgelux / Osram
Chip type	SMD 2835
Color temperature	2700-2800K/3000-3200K/4000-4500K/ 5700-6000K/ 6000-6500K
CRI	>Ra80
Life time	>50000Hrs
Lumens	120-150lm/W
SDCM	<5
Lumens maintenance	99.9%@1000hrs/ 99%@3000hrs /98%@10000hrs. (LM80)

## Optional

Dimming Type	Triac dim/ 0-10V dim/ DALI dimmable optional
Dimming driver brand	EAGLERISE <b>KOPU</b>
Emergency backup	Battery backup with 3Hours for 3-5Watt
Suspended ropes	/

## Dimension



## Lighting Distribution

