



LED TRACK LIGHT

Ref No: GR-TL-30WC



This track light is made of aluminum housing (black/white finished) and high CRI COB Chips, it is ok to be driver in track type, and also can be with recessed installation or surface mounted also ok to be with honey comb. It is a perfect choice to be for museum, clothing stores, supermarkets, kitchen etc. By the way, it is available to do 2 lines, 3 lines, 4 lines (3 Phases) types and to be 0-10V or DALI dimmable.



Complete Product Data

Order Number	GR-TL-30WC
Total Wattage	30W±5%
Mounting Type	Track mounted as standard; surface/recessed install as options
Dimension(mm)	Ø120*H63mm
Outcut(mm)	/
IP Grade	IP20
Luminaries Lumens	2800-3200lm
Beam angle	24° as standard, 15/36/60° optional
Working temperature	-30°C ~ +60°C
Certificates standard	CE LVD EMC RoHS
Warranty	3/5Years

Control Gear/Driver Data

LED driver brand	LiFud/Eagleries/GX brand
Input voltage	110/220-240VAC 50/60Hz
Output voltage	30-42Vdc
Output current	750-800mA
Power Factor	>0.9
Surge protection	1KV
Efficiency	>88% @230V
IP Grade	IP20
THD	<15% @230V
Dimmable	No, but available to select it as Triac/0-10V/DALI if needed
Free flicker	Yes
Protection	Open Circuit Protection / short Circuit protection/
Certificates	CE CB TUV ENEC
Warranty	3/5Years

Material&Housing Data

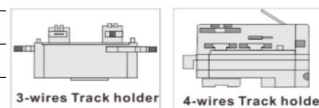
Housing Color	White or black finished
Housing Material	Aluminum
Lens	High quality PC lens
Reflector material	/
Track heads	Plastic, black/white finished
Connector	/

Photometric Data

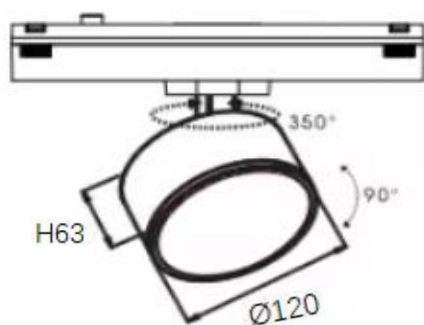
LED chip brand	Bridgelux /Osram
Chip type	COB
Color temperature	2700-3000K/3200-3500K/4000-4500K/ 5700-6000K/ 6000-6500K
CRI	>Ra90
Life time	>50000Hrs
Lumens	120-140lm/W
SDCM	<5
Lumens maintenance	99.9%@1000hrs/ 99%@3000hrs /98%@10000hrs. (LM80)

Optional

Dimming Type	Triac dim/ 0-10V dim/ DALI dimmable optional
Dimming driver brand	Eagleries
Emergency backup	/
Track Heads	3Wires / 4wires(3 phases) track heads



Dimension



Unit:mm

Lighting Distribution

