



LED TRACK LIGHT

Ref No: GR-TL-20WF-2



This track light is consist of a **integrated led driver (driver in track)** and aluminum housing(black/white finished) and high CRI COB Chips,beam angle is 15/24/36° optional. what is more, there is a **dial switch on back side to select color temperature from 3000K, to 4000k , to 6000k**. It is a perfect choice to be for museum,clothing stores,supermarkets,kitchen etc.By the way, it is available to do 2lines,3lines,4lines(3Phases) types.

Complete Product Data

Order Number	GR-TL-20WF-2
Total Wattage	20W±5%
Mounting Type	Track mounted
Dimension(mm)	Φ91*110mm
Outcut(mm)	/
IP Grade	IP20
Luminaries Lumens	1900-2200lm
Beam angle	15/24/36°
Working temperature	-25°C ~ +55°C
Certificates standard	CE LVD EMC RoHS
Warranty	3/5Years

Control Gear/Driver Data

LED driver brand	LiFud/Eagleries/GX brand
Input voltage	220-240VAC 50/60Hz
Output voltage	30-42Vdc
Output current	500mA
Power Factor	>0.9
Surge protection	1-2KV
Efficiency	>88% @230V
IP Grade	IP20
THD	<15% @230V
Dimmable	No, but available to select it as Triac/0-10V/DALI if needed
Free flicker	Yes
Protection	Open Circuit Protection / short Circuit protection/
Certificates	CE CB ENEC
Warranty	3/5Years

Material&Housing Data

Housing Color	White or black finished
Housing Material	Aluminum
Lens	High quality PC lens
Reflector material	PC reflector
Track heads	Plastic, black/white finished
Connector	/

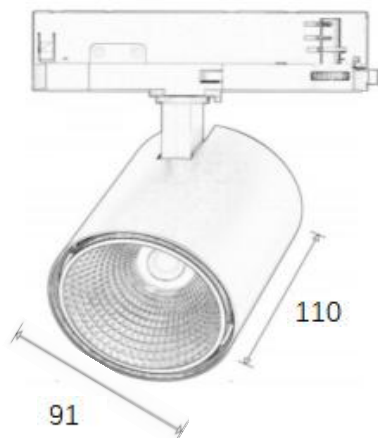
Photometric Data

LED chip brand	Bridgelux / Osram
Chip type	COB
Color temperature	2700-3000K/3200-3500K/4000-4500K/ 5700-6000K/ 6000-6500K
CRI	>Ra92
Life time	>50000Hrs
Lumens	120-140lm/W
SDCM	<5
Lumens maintenance	99.9%@1000hrs/ 99%@3000hrs /98%@10000hrs. (LM80)

Optional

Dimming Type	Triac dim/ 0-10V dim/ DALI dimmable optional
Dimming driver brand	Eagleries
Emergency backup	/
Track Heads	3Wires / 4wires(3 phases) track heads

Dimension



Unit:mm

Lighting Distribution

