



ADJUSTABLE BEAM LED TRACK LIGHT

Ref No: GR-TL-10WD



This track light is with a adjustable beam angle design, including 4 different beam angle in same one light, 15°-24°-36°-60°, available to select them by twisting the front ring of the lamp. It is a perfect choice to be for museum, clothing stores, supermarkets, kitchen etc. By the way, it is available to do 2lines, 3lines, 4lines (3Phases) types.

Complete Product Data

Order Number	GR-TL-10WD
Total Wattage	10W±5%
Mounting Type	Track mounted
Dimension(mm)	Φ55*135mm
Track heads	2 wires as standard; 4 wires (3 circuits) c
IP Grade	IP20
Luminaries Lumens	900-1100lm
Beam angle	select from 15° to 60°
Working temperature	-25°C ~ +55°C
Certificates standard	CE LVD EMC RoHS
Warranty	3/5Years

Control Gear/Driver Data

LED driver brand	GX/DNF/HG/LiFud/Eagleries driver
Input voltage	110/220-240VAC 50/60Hz
Output voltage	30-42Vdc
Output current	250-300mA
Power Factor	>0.5 as standard; >0.9 optional
Surge protection	1KV
Efficiency	>85% @230V
IP Grade	IP20
THD	<15% @230V
Dimmable	No, but available to select it as Triac/0-10V/DALI if needed
Free flicker	Yes
Protection	Open Circuit Protection / short Circuit protection/
Certificates	EMC/ETL/CE/CB/ENEC
Warranty	3/5Years

Material&Housing Data

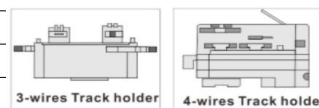
Housing Color	White or black finished
Housing Material	Aluminum
Lens	High quality PC lens
Reflector material	PC reflector
Track heads	Plastic, black/white finished
Connector	/

Photometric Data

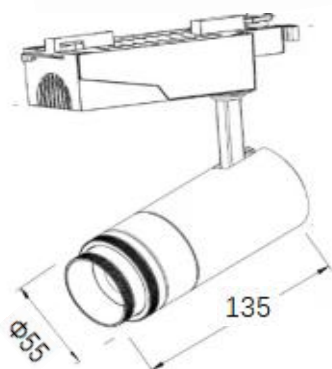
LED chip brand	Bridgelux /Osram
Chip type	COB
Color temperature	2700-2800K/3000-3200K/4000-4500K/ 5700-6000K/ 6000-6500K
CRI	>Ra90
Life time	>50000Hrs
Lumens	120-140lm/W
SDCM	<5
Lumens maintenance	99.9%@1000hrs/ 99%@3000hrs /98%@10000hrs. (LM80)

Optional

Dimming Type	Triac dim/ 0-10V dim/ DALI dimmable optional
Dimming driver brand	/
Emergency backup	/
Track Heads	3Wires / 4wires(3 phases) track heads



Dimension



Unit:mm

Lighting Distribution

