



RECESSED DOUBLE DOWNLIGHT

Ref No: GR-DLG-2*12WQ



This square Downlight adopt deep anti-glare design, it is ok to be rotation 25°, and consists of die-cast aluminum housing + CREE/CITIZEN/Bridgelux chips. The housing can be black/white finished. It is widely used for residential area or commercial lighting. Available to be with honeycomb, and also to be dimmable, emergency kits, or zigbee smart downlights.



Complete Product Data

Order Number	GR-DLG-2*12WQ
Total Wattage	24W±5%
Mounting Type	Recessed Mounted
Dimension(mm)	L168*W85mm
Outcut(mm)	L160*W75mm
IP Grade	IP20/IP40
Luminaries Lumens	2200-2500lm
Beam angle	15/24/36°
Working temperature	-30°C ~ +55°C
Certificates standard	CE LVD EMC RoHS
Warranty	3/5Years
Package	/

Control Gear Data

LED driver brand	DNF/GX/HG/LiFud/Eagleries Brand
Input voltage	110/220-240VAC 50/60Hz
Output voltage	30-42Vdc
Output current	600mA
Power Factor	>0.5 or >0.9
Surge protection	1KV
Efficiency	>87% @230V
IP Grade	IP22
THD	<15% @230V
Dimmable	No, but available to select it as Triac/0-10V/DALI if needed
Free flicker	Yes
Protection	Short circuit, open circuit, overcurrent, overvoltage protection
Certificates	CE RoHS ENEC CB
Warranty	3/5Years


Material&Housing Data

Housing Color	Matt white/ black housing color
Housing Material	Aluminum
Trim	Metal
Reflector	polycarbonate,silver
Lens	/
Clips	Metal

Photometric Data

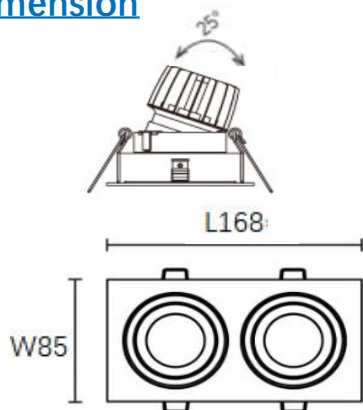
LED chip brand	Bridgelux / Osram
Chip type	COB
Color temperature	2700-2800K/3000-3200K/4000-4500K/ 5700-6000K/ 6000-6500K
CRI	>Ra90
Life time	>50000Hrs
Lumens	120-140lm/W
SDCM	<5
Lumens maintenance	99.9%@1000hrs/ 99%@3000hrs /98%@10000hrs. (LM80)

Optional

Dimming Type	Triac dim/ 0-10V dimmable optional
Dimming driver brand	 KOPU
Emergency backup	3W-7W with 1-3hours duration options
Honey comb	available



Dimension



Unit:mm

Lighting Distribution

