



ADJUSTABLE LINEAR DOWNLIGHT

Ref No: GR-DL-10WL-02



This recessed linear led downlight, also called linear led spotlight, it is ok to do be **adjustable 25°**, consists of die-cast aluminum and reflectors. White/black reflector available, and matt white/matt black housing optional. The top quality led driver and chips make sure its lifetime up to 50000Hrs at least. Good choice for commercial lighting or residential lighting.

Complete Product Data

Order Number	GR-DL-10WL-02
Total Wattage	9W±5%
Mounting Type	Recessed mounted
Dimension(mm)	L158×W60×H45mm
Outcut(mm)	L154×W48×H50mm
IP Grade	IP22
Luminaries Lumens	850-1000lm
Beam angle	15° 24° 36°
Working temperature	-25°C ~ +55°C
Certificates standard	CE LVD EMC RoHS
Warranty	3/5Years
Package	/

Control Gear/Driver Data

LED driver Brand	Lifud <small>EAGLE RISE</small> OSRAM PHILIPS
Input voltage	220-240VAC 50/60Hz
Output voltage	30-42Vdc
Output current	250-300mA
Power Factor	>0.5 as standard, 0.9 optional
Surge protection	1KV
Efficiency	>84%
IP Grade	IP22
THD	<15%
Dimmable	No, but available to select it as Triac/0-10V/DALI if needed
Free flicker	Yes
Protection	Open Circuit Protection / short Circuit protection/
Certificates	CCC、RCM、CE、CB
Warranty	3/5Years

Material&Housing Data

Housing Color	White finished as a standard, black is optional
Housing Material	Aluminum
Reflector	Polycarbonate, black as standard.
PCB	Aluminum
Fixation material	Metal
Connector	Quickly connectors

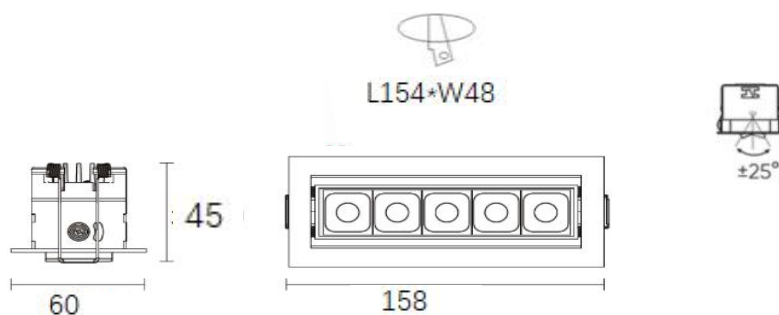
Photometric Data

LED chip brand	Bridgelux / Osram
Chip type	SMD
Color temperature	2700-2800K/3000-3200K/4000-4500K/ 5700-6000K/ 6000-6500K
CRI	>80
Life time	>50000Hrs
Lumens	120-140lm/W
SDCM	<5
Lumens maintenance	99.9%@1000hrs/ 99%@3000hrs /98%@10000hrs. (LM80)

Optional

Dimming Type	Triac dim/ 0-10V dim/ DALI dimmable optional
Dimming driver brand	KOPU EAGLERISE EUCHIPS LIFUD LTECH
Emergency backup	Battery backup with 1-3Hours for 2-5Watt

Dimension



Unit:mm

Lighting Distribution

