



DEEP RECESSED DOWNLIGHT

Ref No: GR-DL-10WG



LED Downlight adopt deep anti-glare design, it is ok to be rotation 30°, different reflector colors option (white/black/silver/gun black/gold) and consists of CREE/CITIZEN/Bridgelux chips, delivers a superior LED alternative that's up to 60% more energy efficient than the conventional downlight retrofits.

Complete Product Data

Order Number	GR-DL-10WG(75)
Total Wattage	10W±5%
Mounting Type	Recessed mounted
Dimension(mm)	Φ85*H80mm
Outcut(mm)	Φ75mm
IP Grade	IP22
Luminaries Lumens	900-1100lm
Beam angle	15/24/36°
Working temperature	-25°C ~ +55°C
Certificates standard	CE LVD EMC RoHS
Warranty	3/5Years
Package	/

Electrical Data

LED driver brand	Eagleries/LiFud as standard, Philips/Osram optional
Input voltage	110/220-240VAC 50/60Hz
Output voltage	30-42Vdc
Output current	280-300mA
Power Factor	>0.5 as standard, >0.9 optional
Surge protection	1KV
Efficiency	>86% @230V
IP Grade	IP22
THD	<15% @230V
Dimmable	No, but available to select it as Triac/0-10V/DALI if needed
Free flicker	Yes
Protection	Short circuit, open circuit, overcurrent, overvoltage protection
Certificates	CE, ENEC, RCM CB, CCC
Warranty	3/5Years

Material&Housing Data

Housing Color	White trim and black heat sink
Housing Material	Aluminum
Cover material	polycarbonate Cover
Reflector	polycarbonate, white as standard, black/ gun black/ optional
Lens	PMMA
Clips	Metal



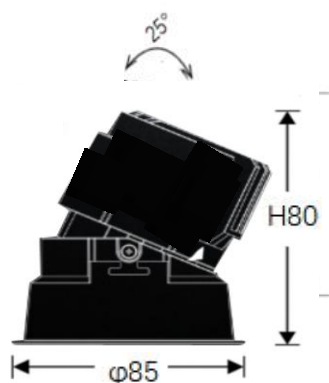
Photometric Data

LED chip brand	Bridgelux / Osram
Chip type	COB
Color temperature	2700-2800K/3000-3200K/4000-4500K/ 5700-6000K/ 6000-6500K
CRI	>Ra90
Life time	>50000Hrs
Lumens	110-130lm/W
SDCM	<5
Lumens maintenance	99.9%@1000hrs/ 99%@3000hrs /98%@10000hrs. (LM80)

Optional

Dimming Type	Triac dim/ 0-10V dim/ DALI dimmable optional
Dimming driver brand	EAGLERISE KOPU
Emergency backup	Battery backup with 1- 3Hours for 2-5Watt

Dimension



Unit:mm

Lighting Distribution

