



## LED MODULAR FLOODLIGHT

Ref No: GR-FL-100WM



This Flood light is consist of different number of modular sources,each modular is 50Watt,delivers a superior LED alternative that'sup to 60% more energy efficient than the conventional HPS,Metal halide flood light retrofits. It is widely used for different outdoor places such as tunnel,high mast,squares,stadium fields(football field,tennis court,basketball etc)

### Complete Product Data

Order Number	GR-FL-100WM
Total Wattage	100W±5%
Mounting Type	Wall mounted/Pole mounted/ground mounted
Dimension(mm)	156*315*140
Outcut(mm)	/
IP Grade	IP66
Luminaries Lumens	15000-17000lm
Beam angle	120°/75*140°
Working temperature	-25°C ~ +55°C
Certificates standard	CE LVD EMC RoHS
Warranty	3/5Years
Package	/

### Control Gear Data

LED driver Brand	SUNCOM / MEANWELL / OSRAM /MOSO
Input voltage	100/220-277VAC 50/60Hz
Output voltage	30-48Vdc
Output current	2500-3000mA
Power Factor	>0.95
Surge protection	6-10KV
Efficiency	>91% @230V
IP Grade	IP66
THD	<10% @230V
Dimmable	No, but available to be PWM/0-10V/DALI
Free flicker	/
Protection	Short circuit, open circuit, overcurrent, overvoltage protection
Certificates	TUV, CE, CB,ENEC, UL
Warranty	3/5Years

## Material&Housing Data

Housing Color	Black
Housing Material	Die-cast aluminum
Cover material	PMMA cover
Reflector	/
Bracket	Metal
Screws	Stainless steel

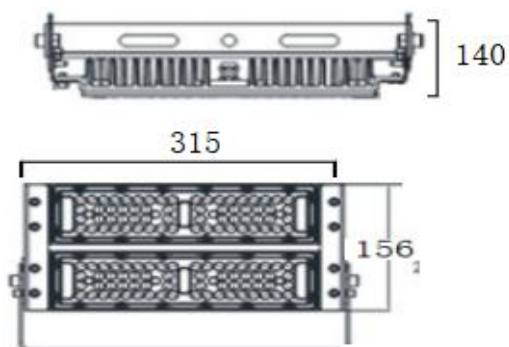
## Photometric Data

LED chip brand	Philips/Bridgelux
Chip type	SMD 3030/2835
Color temperature	2700-2800K/3000-3200K/4000-4500K/ 5700-6000K/ 6000-6500K
CRI	>Ra70 or 80
Life time	>50000Hrs
Lumens	150-160lm/W
SDCM	<5
Lumens maintenance	99.9%@1000hrs/ 99%@3000hrs /98%@10000hrs. (LM80)

## Optional

Dimming Type	PWM/0-10V/ DALI dimmable
Dimming driver brand	Osram/ Moso /SUNCOM/ Meanwell
Emergency backup	10-18W with 1-2hours duration
Input voltage	AC/DC12V/24V/48V optional
Shading cover	/

## Dimension



Unit:mm

## Lighting Distribution

