



## SURFACE TWIN DOWNLIGHT

Ref No: GR-DLG-15WK\*2



This square downlight adopt deep stylish design, it is ok to be rotation 25°, and consists of die-cast aluminum heat sink+ CREE/CITIZEN/Bridgelux chips. The housing can be black/white finished. It is widely used for residential area or commercial lighting.

### Complete Product Data

Order Number	GR-DLG-15WK*2
Total Wattage	30W±5%
Mounting Type	Surface mounted
Dimension(mm)	W115*L230*H140mm
Outcut(mm)	/
IP Grade	IP22
Luminaries Lumens	2800-3200lm
Beam angle	15/24/36°
Working temperature	-30°C ~ +55°C
Certificates standard	CE LVD EMC RoHS
Warranty	3/5Years
Package	/

### Control Gear Data

LED driver brand	DNF/GX/HG/LiFud/Eagleries/Philips/Osram Brand
Input voltage	220-240VAC 50/60Hz
Output voltage	30-42Vdc
Output current	750-800mA
Power Factor	>0.5 as standard, >0.9 optional
Surge protection	1KV
Efficiency	>87% @230V
IP Grade	IP22
THD	<20% @230V
Dimmable	No, but available to select it as Triac/0-10V/DALI if needed
Free flicker	Yes
Protection	Short circuit, open circuit, overcurrent, overvoltage protection
Certificates	/
Warranty	3/5Years

## Material&Housing Data

Housing Color	Matt white/ black housing color
Housing Material	Metal body+Aluminum heat sink
Cover	PC/Glass
Reflector	polycarbonate,silver
Lens	/
Surface part	Metal

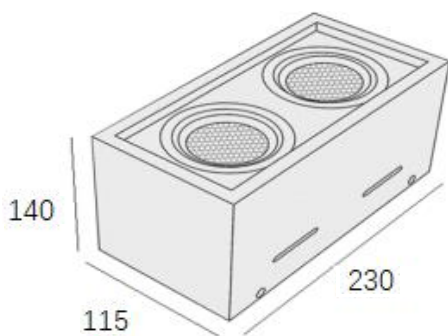
## Photometric Data

LED chip brand	Bridgelux / Osram
Chip type	COB
Color temperature	2700-2800K/3000-3200K/4000-4500K/ 5700-6000K/ 6000-6500K
CRI	>Ra90
Life time	>50000Hrs
Lumens	120-140lm/W
SDCM	<5 or <3 options
Lumens maintenance	99.9%@1000hrs/ 99%@3000hrs /98%@10000hrs. (LM80)

## Optional

Dimming Type	Triac dim/ 0-10V dimmable optional
Dimming driver brand	EAGLERISE <b>KOPU</b>
Emergency backup	2-5Watt with 60-180minutes

## Dimension



Unit:mm

## Lighting Distribution

