



SURFACE TWIN DOWNLIGHT

Ref No: GR-DLG-10WK*2



This square downlight adopt deep stylish design, it is ok to be rotation 25°, and consists of die-cast aluminum heat sink+ CREE/CITIZEN/Bridgelux chips. The housing can be black/white finished. It is widely used for residential area or commercial lighting.

Complete Product Data

| | |
|-----------------------|------------------|
| Order Number | GR-DLG-10WK*2 |
| Total Wattage | 20W±5% |
| Mounting Type | Surface mounted |
| Dimension(mm) | L200*W100*H100mm |
| Outcut(mm) | / |
| IP Grade | IP22 |
| Luminaries Lumens | 1800-2200lm |
| Beam angle | 15/24/36° |
| Working temperature | -30°C ~ +55°C |
| Certificates standard | CE LVD EMC RoHS |
| Warranty | 3/5Years |
| Package | / |

Control Gear Data

| | |
|------------------|--|
| LED driver brand | DNF/GX/HG/LiFud/Eagleries/Philips/Osram Brand |
| Input voltage | 220-240VAC 50/60Hz |
| Output voltage | 30-42Vdc |
| Output current | 450-500mA |
| Power Factor | >0.5 as standard, >0.9 optional |
| Surge protection | 1KV |
| Efficiency | >87% @230V |
| IP Grade | IP22 |
| THD | <20% @230V |
| Dimmable | No, but available to select it as Triac/0-10V/DALI if needed |
| Free flicker | Yes |
| Protection | Short circuit, open circuit, overcurrent, overvoltage protection |
| Certificates | / |
| Warranty | 3/5Years |

Material&Housing Data

| | |
|------------------|---------------------------------|
| Housing Color | Matt white/ black housing color |
| Housing Material | Metal body+Aluminum heat sink |
| Cover | PC/Glass |
| Reflector | polycarbonate,silver |
| Lens | / |
| Surface part | Metal |

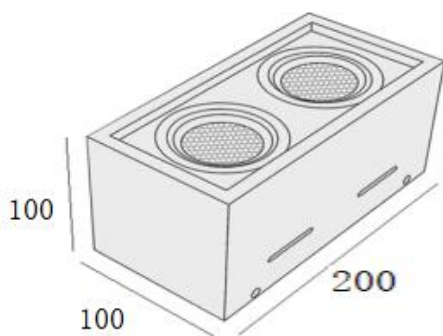
Photometric Data

| | |
|--------------------|--|
| LED chip brand | Bridgelux / Osram |
| Chip type | COB |
| Color temperature | 2700-2800K/3000-3200K/4000-4500K/ 5700-6000K/ 6000-6500K |
| CRI | >Ra90 |
| Life time | >50000Hrs |
| Lumens | 120-140lm/W |
| SDCM | <5 or <3 options |
| Lumens maintenance | 99.9%@1000hrs/ 99%@3000hrs /98%@10000hrs. (LM80) |

Optional

| | |
|----------------------|------------------------------------|
| Dimming Type | Triac dim/ 0-10V dimmable optional |
| Dimming driver brand | EAGLERISE KOPU |
| Emergency backup | 2-5Watt with 60-180minutes |

Dimension



Unit:mm

Lighting Distribution

