



## SURFACE FOLD DOWNLIGHT

Ref No: GR-DL-10WZ-01



This cylinder downlight is surface installation type, and with fold design, it can be adjustable direction as wall washer spotlights, and also can be as cylinder surface downlights. Widely used for commercial places such as clothes shop, supermarkets, or residential place lik kitchen, dining room etc.

### Complete Product Data

Order Number	GR-DL-10WZ-01
Total Wattage	10W±5%
Mounting Type	Surface mounted
Dimension(mm)	Φ60*H162mm
Outcut(mm)	/
IP Grade	IP20/IP40
Luminaries Lumens	900-1100lm
Beam angle	15°/24/36° optional
Working temperature	-30°C ~ +55°C
Certificates standard	CE LVD EMC RoHS
Warranty	3/5Years
Package	/

### Control Gear Data

LED driver brand	GuanX/LiFud/Eagleries brand
Input voltage	220-240VAC 50/60Hz
Output voltage	30-42Vdc
Output current	250-300mA
Power Factor	>0.5
Surge protection	1KV
Efficiency	>83% @230V
IP Grade	IP22
THD	<15% @230V
Dimmable	No, but available to select it as Triac/0-10V/DALI if needed
Free flicker	Yes
Protection	Short circuit, open circuit, overcurrent, overvoltage protection
Certificates	TUV、CCC、RCM、CE、CB
Warranty	3/5Years

## Material&Housing Data

Housing Color	Matt white/ black housing color
Housing Material	Aluminum
Reflector material	polycarbonate
Reflector	black
Lens	PMMA
Clips	/

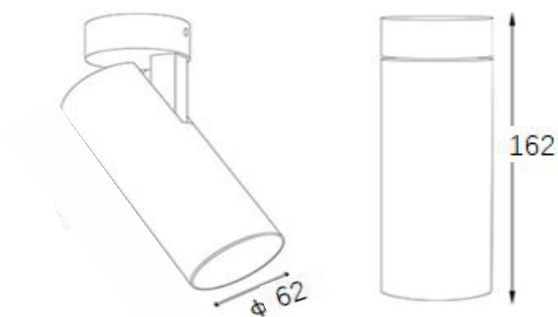
## Photometric Data

LED chip brand	Bridgelux /Osram
Chip type	COB
Color temperature	2700-2800K/3000-3200K/4000-4500K/ 5700-6000K/ 6000-6500K
CRI	>Ra90
Life time	>50000Hrs
Lumens	120-140lm/W
SDCM	<5 or <3 optional
Lumens maintenance	99.9%@1000hrs/ 99%@3000hrs /98%@10000hrs. (LM80)

## Optional

Dimming Type	Triac dim/ 0-10V dimmable optional
Dimming driver brand	EAGLERISE <b>KOPU</b>
Emergency backup	/

## Dimension



Unit:mm

## Lighting Distribution

