



LED STREET LIGHTING

Ref No: GR-SL-100WB-02

CE RoHS IP66



LED Street light, delivers a superior LED alternative that's up to 60% more energy efficient than the conventional HPS, Metal halide road light retrofits.

Top materials such as aluminum housing, isolated driver with 4kv surge protection which will keep its stable quality.

Complete Product Data

Order Number	GR-SL-100WB-02
Total Wattage	100W±5%
Mounting Type	Arm bracket
Dimension(mm)	L510*W263*H65mm
Pole diameter	D60-65mm
IP Grade	IP66
Luminaries Lumens	11000-13000lm
Beam angle	70*140°
Working temperature	-30°C ~ +55°C
Certificates standard	CE LVD EMC RoHS
Warranty	3/5Years
Package	/

Control gear/driver Data

LED driver Brand	GX/SUNCOM/MEANWELL/MOSO/OSRAM/PHILIPS
Input voltage	100-240VAC 50/60Hz
Output voltage	36-48Vdc
Output current	3000-4000mA
Power Factor	>0.95
Surge protection	4-6KV
Efficiency	>87% @230V
IP Grade	IP66
THD	<15% @230V
Dimmable	No
Free flicker	No
Protection	Short circuit, open circuit, overcurrent, overvoltage protection
Certificates	ENEC CE CB TUV SAA
Warranty	3/5Years

Material&Housing Data

Housing Color	Grey finished
Housing Material	Die-cast aluminum
Cover material	PMMA Lens
Reflector	/
Bracket	/
Connector	/

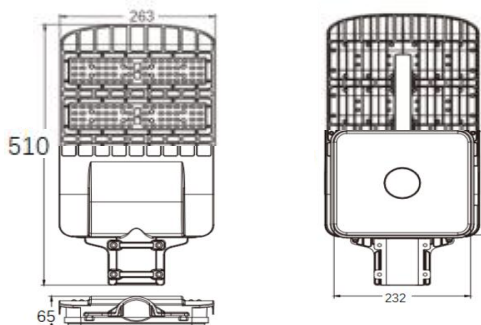
Photometric Data

LED chip brand	Bridgelux
Chip type	SMD
Color temperature	2700-2800K/3000-3200K/4000-4500K/ 5700-6000K/ 6000-6500K
CRI	>Ra80
Life time	>50000Hrs
Lumens	130-150lm/W
SDCM	<5
Lumens maintenance	99.9%@1000hrs/ 99%@3000hrs /98%@10000hrs. (LM80)

Optional

Dimming Type	0-10V/ DALI dimmable
Dimming driver brand	SUNCOME/DONE/OSRAM/MOSO
SPD	10KV/20KV Optional with higher cost
Input voltage	AC/DC12V/24V/48V optional
Photocell	Yes, Dusk to dawn optional

Dimension



Unit:mm

Lighting Distribution

