



LED STADIUM FLOODLIGHT

Ref No: GR-FL-500WG

CE RoHS IP66



It is an anti-glare free flood light, with special anti-glare PC lens, and Shading cover. It can greatly reduce the glare value of lights. It is very suitable for football field lights, basketball court lighting and other sports venues. Its beam angle is different optional according to your projects.

Complete Product Data

Order Number	GR-FL-500WG
Total Wattage	500W±5%
Mounting Type	Wall mounted/Pole mounted/ground mounted
Dimension(mm)	360*415*127mm
Outcut(mm)	/
IP Grade	IP66
Luminaries Lumens	65000-75000lm
Beam angle	90° as standard; 25°/45°/60° optional
Working temperature	-25°C ~ +55°C
Certificates standard	CE LVD EMC RoHS
Warranty	5Years
Package	/

Control Gear Data

LED driver Brand	MOSO/OSRAM/SUNCOM/Meanwell
Input voltage	100/220-277VAC 50/60Hz
Output voltage	36-48Vdc
Output current	5500-6000mA
Power Factor	>0.95
Surge protection	6-10KV
Efficiency	>91% @230V
IP Grade	IP66
THD	<10% @230V
Dimmable	No, but available to be PWM/0-10V/DALI
Free flicker	No
Protection	Short circuit, open circuit, overcurrent, overvoltage protection
Certificates	TUV, CE, CB,ENEC, UL
Warranty	5Years

Material&Housing Data

Housing Color	Black
Housing Material	Die-cast aluminum
Cover material	PMMA cover
Reflector	/
Bracket	Metal
Screws	Stainless steel

Photometric Data

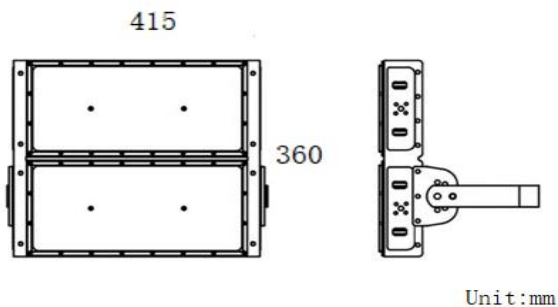
LED chip brand	Philips/Bridgelux
Chip type	SMD
Color temperature	2700-2800K/3000-3200K/4000-4500K/ 5700-6000K/ 6000-6500K
CRI	>Ra80
Life time	>50000Hrs
Lumens	140-180lm/W
SDCM	<5
Lumens maintenance	99.9%@1000hrs/ 99%@3000hrs /98%@10000hrs. (LM80)

Optional

Dimming Type	PWM/0-10V/ DALI dimmable
Dimming driver brand	Osram/ Moso /SUNCOM/ Meanwell
Emergency backup	15-18W with 1-2hours duration
Input voltage	AC/DC12V/24V/48V optional
Shading cover	Yes



Dimension



Lighting Distribution

