



## COMMERCIAL DOWNLIGHT

Ref No: GR-DL-30WN



LED Downlight adopt top quality aluminum as housing and Osram/Bridgelux COB or SMD chips, delivers a superior LED alternative that's up to 60% more energy efficient than the conventional downlight retrofits. It is also ideal for all commercial lighting applications as well as public indoor space where there is limited space in the ceiling.

### Complete Product Data

Order Number	GR-DL-30WN
Total Wattage	30W±5%
Mounting Type	Recessed mounted
Dimension(mm)	Ø190*H60mm
Outcut(mm)	Ø170-175mm
IP Grade	IP20 for complete product (IP44 from front)
Luminaries Lumens	2700-3200lm
Beam angle	120° as standard
Working temperature	-25°C ~ +55°C
Certificates standard	CE LVD EMC RoHS
Warranty	5Years
Package	/

### Control Gear/Driver Data

LED driver brand	LIFUD <sup>®</sup> EAGLERISE OSRAM
Input voltage	220-240VAC 50/60Hz
Output voltage	30-42Vdc
Output current	750-800mA
Power Factor	>0.9
Surge protection	1-2KV
Efficiency	>89% @230V
IP Grade	IP20
THD	<10% @230V
Dimmable	No, but available to select it as Triac/0-10V/DALI if needed
Free flicker	Yes
Protection	Open Circuit Protection / short Circuit protection/
Certificates	TUV、CCC、RCM、CE、CB
Warranty	5Years

## Material&Housing Data

Housing Color	White finished
Housing Material	Aluminum
Heat sink	Die-cast aluminum, black finished
Reflector material	PC reflector for COB type.
Fixation material	Steel
Connector	Quickly connectors

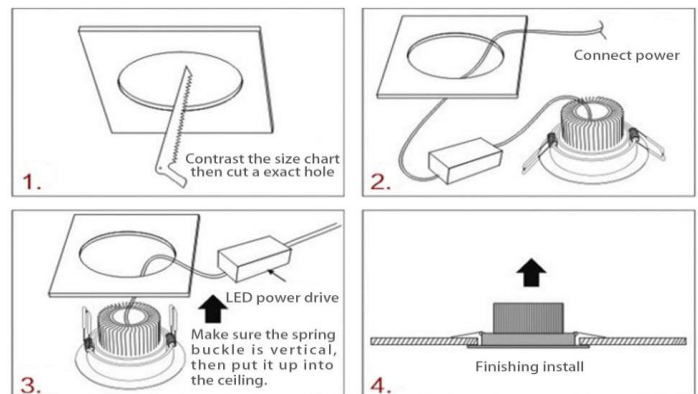
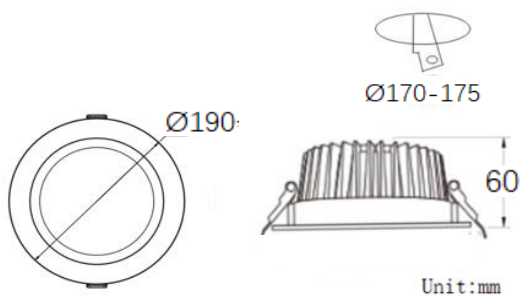
## Photometric Data

LED chip brand	Bridgelux / Osram
Chip type	COB/ SMD
Color temperature	2700-2800K/3000-3200K/4000-4500K/ 5700-6000K/ 6000-6500K
CRI	>90
Life time	>50000Hrs
Lumens	110-130lm/W
SDCM	<5
Lumens maintenance	99.9%@1000hrs/ 99%@3000hrs /98%@10000hrs. (LM80)

## Optional

Dimming Type	Triac dim/ 0-10V dim/ DALI dimmable optional
Dimming driver brand	<b>KOPU</b> <b>EAGLE RISE</b> <b>OSRAM</b> <b>EUCHIPS</b> <b>LIFUD</b> <b>LTECH</b> <b>SUNRICHER</b>
Emergency backup	Battery backup with 3Hours for 2-5Watt

## Dimension & Install



## Lighting Distribution

