



TRIMLESS LED DOWNLIGHT

Ref No: GR-DL-10WG-01



LED Downlight adopt trimless design, better to integrated with building. and its heat sink can be rotation about 25° to be wall washer lighting. Top quality body and high CRI, high lumens, and white/black/silver/gold reflectors options. It is also ideal for all commercial lighting applications as well as public indoor space.




Complete Product Data

Order Number	GR-DL-10WG-01
Total Wattage	10W±5%
Mounting Type	Trimless Recessed mounted
Dimension(mm)	L116*Ø71*H85mmmm
Outcut(mm)	Ø75mm
IP Grade	IP20 for complete product (IP44 from front)
Luminaries Lumens	900-1050lm
Beam angle	24° as standard; 15°/36°/55° optional
Working temperature	-25°C ~ +55°C
Certificates standard	CE LVD EMC RoHS
Warranty	5Years
Package	/

Control Gear/Driver Data

LED driver brand	LIFUD <small>EAGLE RISE</small>
Input voltage	220-240VAC 50/60Hz
Output voltage	30-42Vdc
Output current	300-350mA
Power Factor	>0.5 as standard; >0.9 optional
Surge protection	1KV
Efficiency	>85% @230V
IP Grade	IP20
THD	<15% @230V
Dimmable	No, but available to select it as Triac/0-10V/DALI if needed
Free flicker	Yes
Protection	Open Circuit Protection / short Circuit protection/
Certificates	TUV、CCC、RCM、CE、CB
Warranty	5Years

Material&Housing Data

Housing Color	White finished
Housing Material	Aluminum
Lens	/ 
Reflector material	PC reflector, white as standard, black/silver/gan black /god optional
Fixation material	Steel
Connector	Quickly connectors

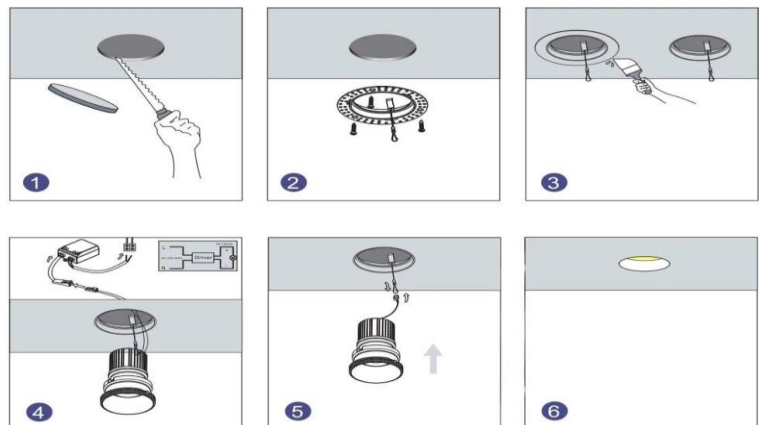
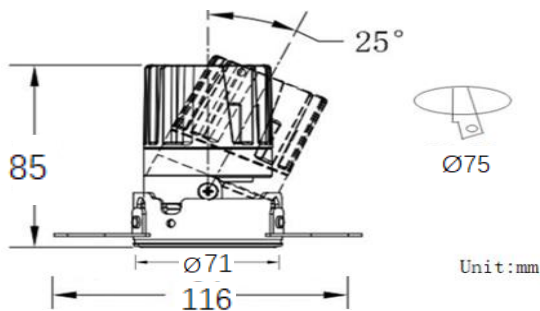
Photometric Data

LED chip brand	Bridgelux / Osram
Chip type	COB
Color temperature	2700-2800K/3000-3200K/4000-4500K/ 5700-6000K/ 6000-6500K
CRI	>Ra92
Life time	>50000Hrs
Lumens	110-130lm/W
SDCM	<5
Lumens maintenance	99.9%@1000hrs/ 99%@3000hrs /98%@10000hrs. (LM80)

Optional

Dimming Type	Triac dim/ 0-10V dim/ DALI dimmable optional
Dimming driver brand	KOPU EAGLE RISE OSRAM EUCHIPS Lifud LTECH SUNRICHER
Emergency backup	Battery backup with 3Hours for 1-2Watt

Dimension & Install



Lighting Distribution

