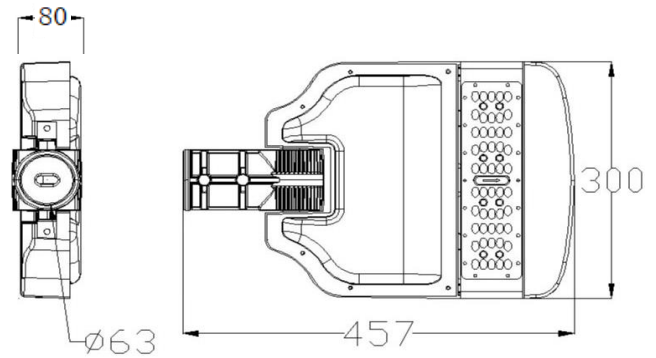


GR-SL-50WD-01 LED Street Lights



Dimension



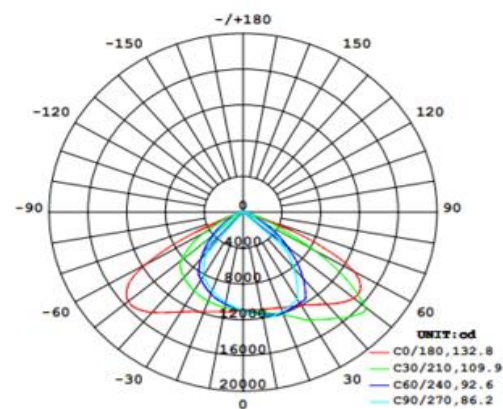
Unit:mm

Description&Feature

LED Street light with **removable modular with fast connector**, and **adjustable joint**, very easy to do maintain or replacement. delivers a superior LED alternative that's up to 60% more energy efficient than the conventional HPS, Metal halide road light retrofits. Top materials such as aluminum housing, isolated driver with 6kv/20KV surge protection which will keep its stable quality.

Its lifetime can be up to 10years. The other extra function such as dimming/ photocell also can be available.

Light Distribution Curve



Specification

Model	GR-SL-50WD-01
Dimension(mm)	457*300*80mm
Surge protection	6KV(10-20KV available)
Power	50W±5%
LED Chips brand	Philips/Osram/Bridgelux SMD3030 128pcs
Lumens	5500-6500lm
Color temperature	3000K/4000K-4500K/6000K-6500K
Driver	Isolated driver included(Meanwell/DONE/Philips options)
Input voltage	100-240VAC / 220-240VAC 50/60Hz
Power factor	>0.95
CRI	>80
SDCM	<5
Working life	>50000Hrs
Efficiency	>90%
Materials	Die-cast aluminum+PC
Beam angle	70*140°
THD	<10%
IP Grade	IP66 waterproof
Installation pole dia	D60mm
Working temperature	-25°C~+55°C
Storage temperature	-30°C~+60°C
Standard	CE LVD EMC RoHs
Warranty	3/5years