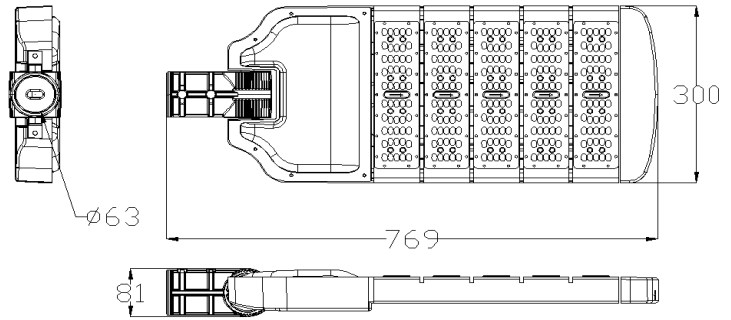


GR-SL-250WD-01 LED Street Lights



Dimension



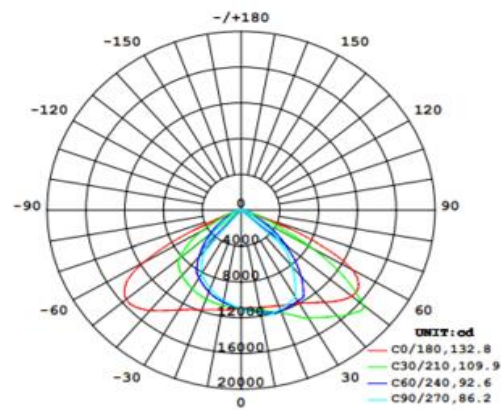
Unit:mm

Description & Feature

LED Street light with **removable modular with fast connector**, very easy to do maintain or replacement. delivers a superior LED alternative that's up to 60% more energy efficient than the conventional HPS, Metal halide road light retrofits. Top materials such as aluminum housing, isolated driver with 6kv/20KV surge protection which will keep its stable quality.

Its lifetime can be up to 10years. The other extra function such as dimming/ photocell also can be available.

Light Distribution Curve



Specification

| | |
|-----------------------|---|
| Model | GR-SL-250WD-01 |
| Dimension(mm) | 769*300*81mm |
| Surge protection | 6KV(10-20KV available) |
| Power | 250W±5% |
| LED Chips brand | Philips/Osram/Bridgelux SMD3030 |
| Lumens | 28000-31000lm |
| Color temperature | 3000K/4000K-4500K/6000K-6500K |
| Driver | Isolated driver included(Meanwell/DONE/Philips options) |
| Input voltage | 100-240VAC / 220-240VAC 50/60Hz |
| Power factor | >0.95 |
| CRI | >80 |
| SDCM | <5 |
| Working life | >50000Hrs |
| Efficiency | >90% |
| Materials | Die-cast aluminum+PC |
| Beam angle | 70*140° |
| THD | <10% |
| IP Grade | IP66 waterproof |
| Installation pole dia | D60mm |
| Working temperature | -25°C~+55°C |
| Storage temperature | -30°C~+60°C |
| Standard | CE LVD EMC RoHs |
| Warranty | 3/5years |