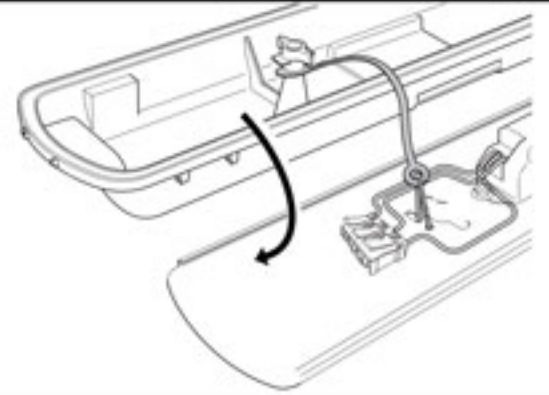
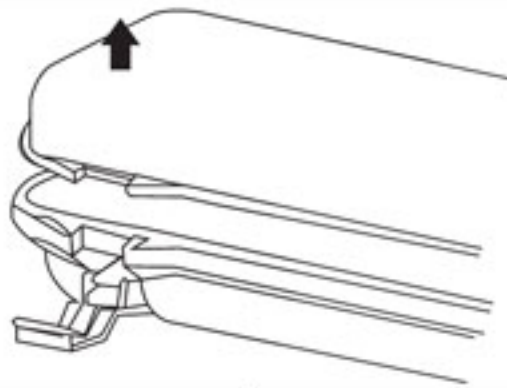


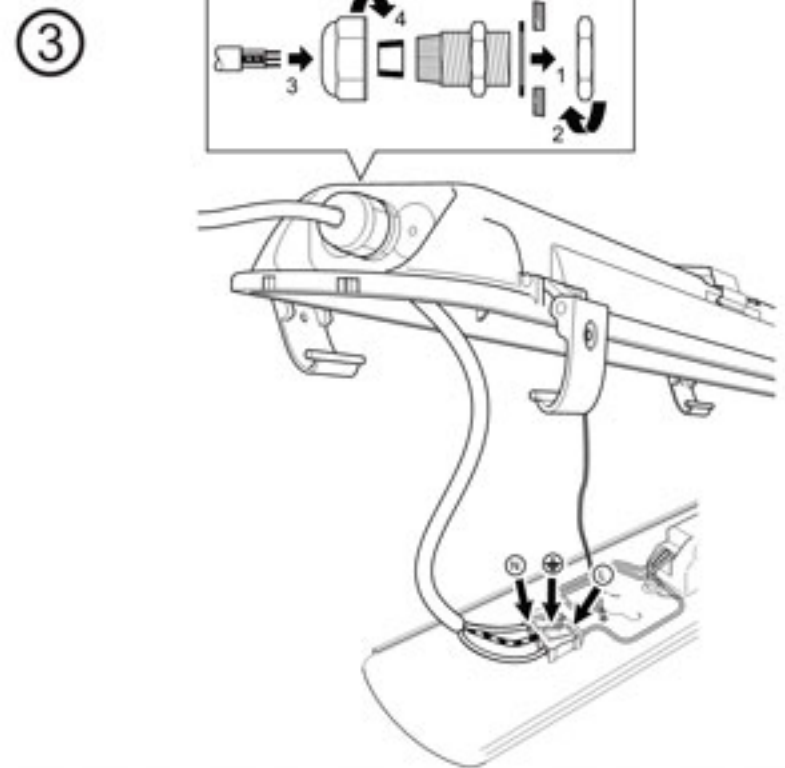
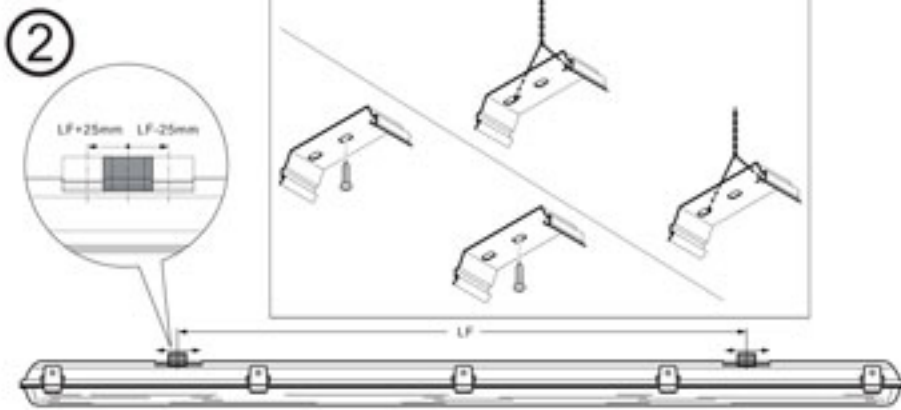
Ensure that power is turned off before installation.

Carefully remove the PC cover through opening the metal clip, then remove aluminum plate through rotating the plastic knob.



Screw two pieces metal bracket (packed in the accessory bag) to ceiling; install the housing to the metal bracket.

Install the end cap, connect wiring to terminal block of the light through the cable entry hole.



Re-install the aluminum plate and PC cover to the housing.

Fasten the metal clips.

