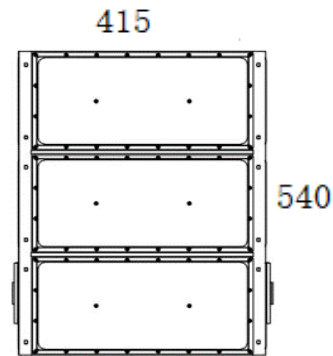


# GR-FL-750WG Led Floodlight



## Dimension



Unit:mm

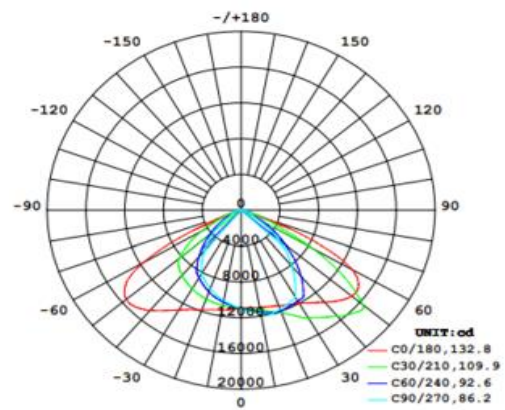
## Description&Feature

It is an anti-glare free flood light, with special anti-glare PC lens, and Shading cover. It can greatly reduce the glare value of lights. It is very suitable for football field lights, basketball court lighting and other sports venues.

Its beam angle is different optional according to your projects.

The lifetime up to 10years with good quality driver, it is available to do 0-10V/DALI dimmable if needed.

## Light Distribution Curve



## Specification

Order Model	GR-FL-750WG
Dimension(mm)	540*415*127mm
Surge protection	4/6KV(10KV 20KV available)
Power	600W±5%
LED Chips brand	Philips/Osram/Bridgelux SMD3030 1008pcs
Lumens	85000-100000lm
Color temperature	3000K/4000K-4500K/6000K-6500K
Driver	Meanwell/DONE/Philips/Sosen options
Input voltage	100-240VAC / 220-240VAC 50/60Hz
Power factor	>0.95
CRI	>80
SDCM	<5
Working life	>50000Hrs
Efficiency	>90%
Materials	Die-cast aluminum+PC, Black Finished
Beam angle	<b>25°/45°/60°/90° Options</b>
THD	<10%
IP Grade	IP65 waterproof
Options	Photocell/Time control/ Triac/0-10V/DALI Dimming if needed
Working temperature	-30°C~+55°C
Storage temperature	-35°C~+60°C
Standard	CE LVD EMC RoHs
Warranty	3/5Years options