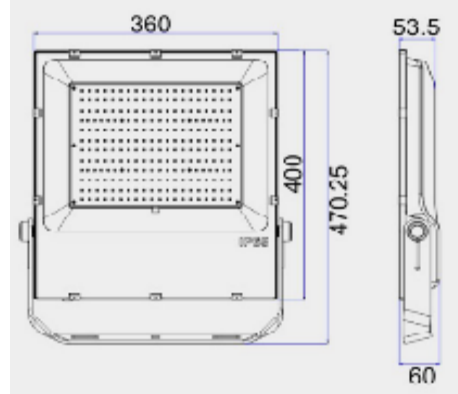


# GR-FL-200WA-02 Led Flood Lights



## Dimension



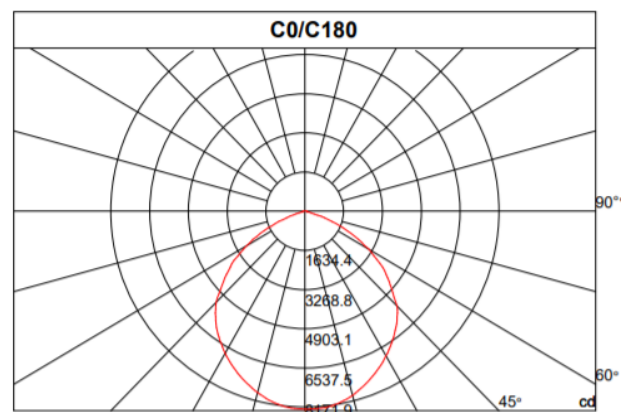
Unit:mm

## Description&Feature

LED Flood light is made of die-cast aluminum and toughed glass cover, delivers a superior LED alternative that's up to 60% more energy efficient than the conventional HPS, Metal halide flood light retrofits. Surge protection up to 4KV-6KV which will keep its stable quality.

Its lifetime can be up to 10years. The other extra function such as **0-10V/ DALI dimming/** photocell also can be available. The input voltage can be 12VDC 24VDC 48VDC or 100-240VAC 50/60Hz optional.

## Light Distribution Curve



## Specification

Model	GR-FL-200WA-02
Dimension(mm)	470*360*54mm
Surge protection	4/6KV(10-20KV available)
Power	200W±5%
LED Chips brand	Lumileds/Bridgelux SMD chips
Lumens	20000-24000lm
Color temperature	3000K/4000K-4500K/6000K-6500K
Driver	Isolated driver included
Input voltage	12V/24V/48VDC or 100-240VAC / 220-240VAC 50/60Hz
Power factor	>0.95
CRI	>80
SDCM	<5
Working life	>50000Hrs
Efficiency	>92%
Materials	Die-cast aluminum+Toughed glass cover
Beam angle	120°
THD	<10%
IP Grade	IP65 waterproof
Options	Photocell/Time control/ Triac/0-10V/DALI Dimming if needed
Working temperature	-25°C~+55°C
Storage temperature	-30°C~+60°C
Standard	CE LVD EMC RoHs
Warranty	2/3/5Years options