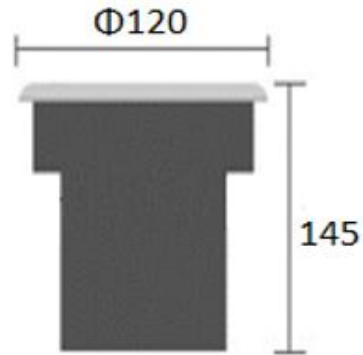


GR-GL-3WR Adjustable Inground Light EuroLight™ GRNLED



Dimension



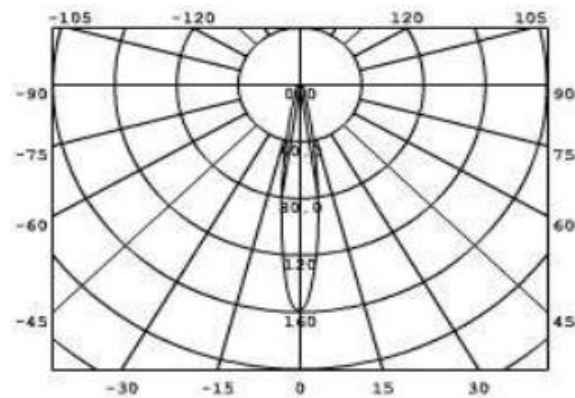
Unit:mm

Description&Feature

This is exterior recessed inground lights, made of stainless steel frame, die-cast aluminum body and waterproof rubber, toughed glass cover. The protection grade can be up to IP67. The top quality waterproof driver and chips will ensure the sustainability of the lamps. Widely used for parks, square, commercial projects etc.

Its lifetime can be up to 50000Hrs. The other extra function such as dimming/RGB/ low voltage like DC12V/24V also can be available. The light module can be adjustable 24°

Light Distribution Curve



Specification

Order Model	GR-GL-3WR
Dimension(mm)	Φ120*H145mm
Outcut	Φ110
Power	3W±5%
LED Chips brand	Epistar/Bridgelux Chips
Lumens	270-300lm
Color temperature	3000K/4000K-4500K/6000K-6500K
Driver	Isolated driver included
Input voltage	100-240VAC / 220-240VAC 50/60Hz
Power factor	>0.5
CRI	>80
SDCM	<5
Working life	>50000Hrs
Efficiency	>87%
Materials	Stainless steel frame+ Die-cast aluminum body+Toughed glass cover
Beam angle	30°
IK Rating	IK07
IP Grade	IP67 waterproof
Dimmable	No
Working temperature	-25°C~+55°C
Storage temperature	-30°C~+60°C
Standard	CE LVD EMC RoHs
Warranty	2/3/5Years options