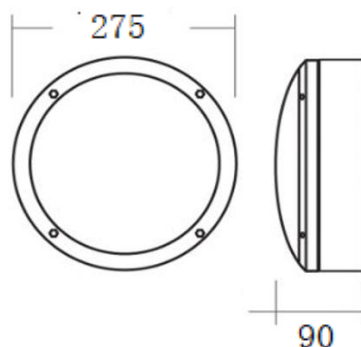


GR-BD-18WR LED Bulkhead Lights



Dimension



Unit:mm

Description&Feature

This is outdoor wall mounted bulkhead, made of die-cast aluminum body,PC cover, led chips.White/Black finished options with IP65 waterproof. CRI90 LED Chips and top quality isolated driver, it is very suitable for commercail projects. The standard version is with COB led chips, but also can be GU10 LED bulb optional.

The input voltage 100-240VAC 50/60Hz as standard, but AC/DC12V 24V can be customized as well. What is more, dimmable,motion sensor also can be available if needed.

Application



Specification

Order Model	GR-BD-18WR
Dimension(mm)	Ø275*H90mm
Outcut	/
Power	18W±5%
LED Chips brand	Epistar SMD Chips
Lumens	1600-1700lm
Color temperature	3000K/4000K-4500K/6000K-6500K
Driver	Isolated driver included
Input voltage	100-240VAC / 220-240VAC 50/60Hz
Power factor	>0.6
CRI	>90
SDCM	<5
Working life	>50000Hrs
Efficiency	>88%
Materials	Die-cast aluminum body+PC cover. White /Black finished options
Beam angle	120°
IK Rating	IK07
IP Grade	IP65 waterproof
Dimmable	No.(It is ok to do triac if needed)
Working temperature	-25°C~+60°C
Storage temperature	-30°C~+65°C
Standard	CE LVD EMC RoHs
Warranty	2/3/5Years options