

GR-TL-5WGU Track light with LED Bulb



2-wires head



3-wires head



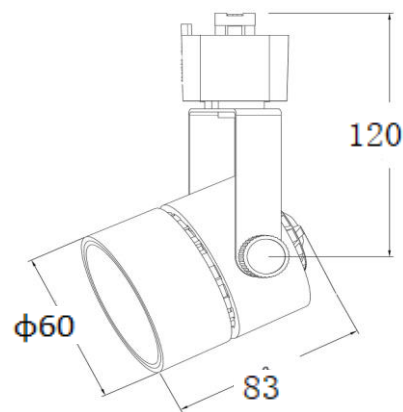
Surface base

Description & Feature

This rail light fixture adopts die-casting process, which is beautiful and durable, and economical iron materials can be used.

- Surface spray treatment, available in white, black, or customized on demand.
- Adjustable 160° vertical and 360° horizontal rotation to adjust the light direction.
- Compatible with various types of rail connection heads and surface-mounted fixed bases.
- LED bulb types can choose GU10, MR16/GU5.3.
- Compatible with two-line or three-line track lighting system.

Dimension



Unit:mm

Specification

Order Model	GR-TL-5WGU
Dimension(mm)	φ60*L83mm
Power	5W±5%
Input voltage	100-240VAC / 220-240VAC 50/60Hz
LED Chips brand	CREE/Philips/CITIZEN/Bridgelux COB Led chips
Lumens	400-500lm
Color temperature	3000K/4000K-4500K/6000K-6500K
Base	GU10/GU5.3/MR16
Led bulb	Included
Power factor	>0.6
CRI	>82
SDCM	<5 (<3 available)
Working life	>30000Hrs
Efficiency	>80%
Materials	Metal body,White/Black finished
Beam angle	24°
Installation	Track/ Surface installation options
IP Grade	IP22 indoor use only
Dimmable	No. but it is ok to do Triac/0-10V/DALI Dimming if needed
Working temperature	-25°C~+50°C
Storage temperature	-30°C~+55°C
Standard	CE LVD EMC RoHs
Warranty	2/3Years