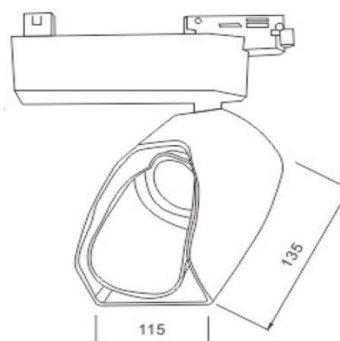


GR-TL-30WH Modern Track light



Dimension



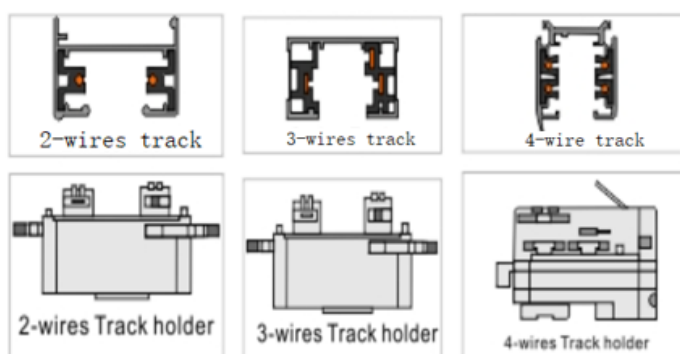
Unit:mm

Description&Feature

This track light is made of aluminum housing(black/white finished) and high CRI COB Chips,beam angle is 24/38° optional. It is a perfect choice to be for museum,clothing stores,supermarkets,kitchen etc.By the way, it is available to do 2lines,3lines,4lines(3Phases) types.

Its lifetime can be up to 5years.
The other extra function such as triac dimmable/0-10v/DALI,Smart controller also can be available.

Track holder must match with track



Specification

Order Model	GR-TL-30WH
Dimension(mm)	φ115*L135mm
Power	30W±5%
Input voltage	100-240VAC / 220-240VAC 50/60Hz
LED Chips brand	CREE/Philips/CITIZEN/Bridgelux COB Led chips
Lumens	2700-3000lm
Color temperature	3000K/4000K-4500K/6000K-6500K
Driver	Included(Philips/osram/DONE/LiFud brand options)
UGR	<19
Power factor	>0.9
CRI	>90
SDCM	<5 (<3 available)
Working life	>50000Hrs
Efficiency	>88%
Materials	Die-cast aluminum,White/Black finished
Beam angle	60°
Circuits	Standard Single(2 lines). But Single(3wires)/3circuits(4wires) available if needed
IP Grade	IP22 indoor use only
Dimmable	No. but it is ok to do Triac/0-10V/DALI Dimming if needed
Working temperature	-25°C~+50°C
Storage temperature	-30°C~+55°C
Standard	CE LVD EMC RoHs
Warranty	2/3/5Years