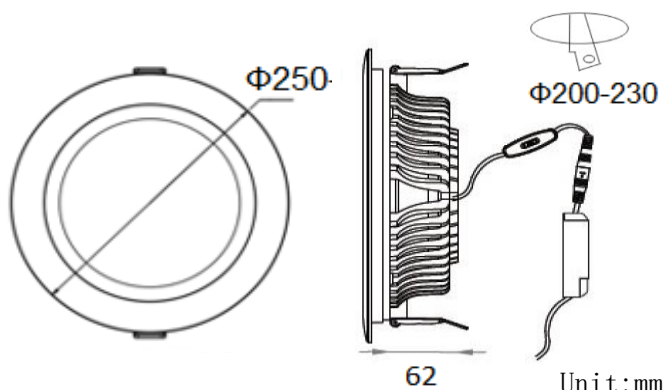


GR-DL-30WD 9in COB Downlights



Dimension

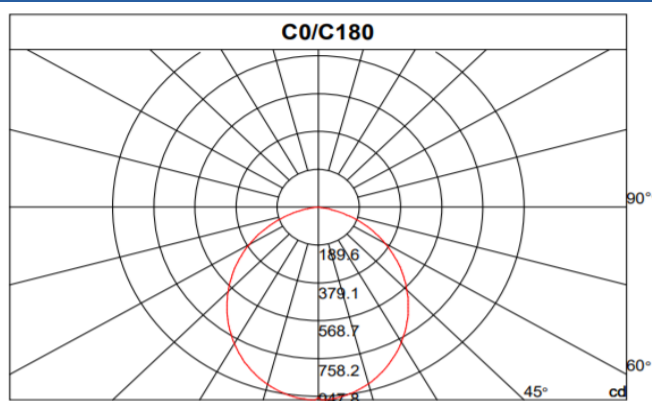


Description & Feature

LED Downlight delivers a superior LED alternative that's up to 60% more energy efficient than the conventional downlight retrofits. Made of die-cast aluminum and PC cover, good heat performance, and high lumens output. It is also ideal for all commercial lighting applications.

The other extra function such as Triac/1-10V/DALI dimming/ emergency backup/Zigbee smart control also can be available.

Light Distribution Curve



Specification

| | |
|---------------------|--|
| Order Model | GR-DL-30WD |
| Dimension(mm) | ø250xH62mm |
| Outcut | Φ200-230 mm |
| Power | 30W±5% |
| LED Chips brand | Epistar/Osram SMD Led chips |
| Lumens | 2700-3000lm |
| Color temperature | 3000K/4000K-4500K/6000K-6500K |
| Driver | Included Top quality driver.free flicker |
| Input voltage | 100-240VAC / 220-240VAC 50/60Hz |
| Power factor | >0.6 or >0.9 if needed |
| CRI | >90 |
| SDCM | <5 |
| Working life | >50000Hrs |
| Efficiency | >89% |
| Materials | Die-cast aluminum+Glass cover,White finished |
| Beam angle | 120° |
| IP Grade | IP22 indoor use only |
| Emergency kits | No. but it is ok to do emergency backup for 30% power with 1hrs 2hrs 3hrs duration |
| Dimmable | No. but it is ok to do Triac/0-10V/DALI Dimming if needed |
| Working temperature | -30°C~+55°C |
| Storage temperature | -35°C~+60°C |
| Standard | CE LVD EMC RoHs |
| Warranty | 2/3/5Years |