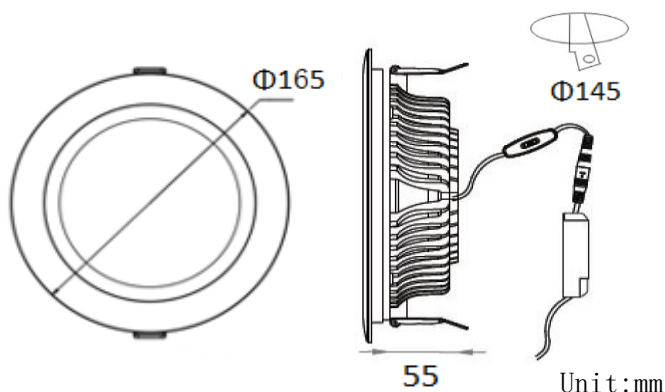




Dimension



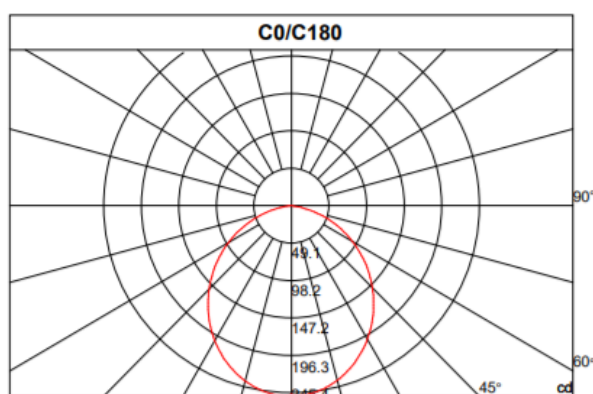
Unit: mm

Description & Feature

LED Downlight delivers a superior LED alternative that's up to 60% more energy efficient than the conventional downlight retrofits. made of die-cast aluminum and pc cover, good heat performance, and high lumens output. It is also ideal for all commercial lighting applications

The other extra function such as Triac/1-10V/DALI dimming/ emergency backup/Zigbee smart control also can be available.

Light Distribution Curve



Specification

Order Model	GR-DL-15WD
Dimension(mm)	ø165xH55mm
Outcut	Φ145mm
Power	15W±5%
LED Chips brand	CREE/CITIZEN/Bridgelux COB
Lumens	1350-1500lm
Color temperature	3000K/4000K-4500K/6000K-6500K
Driver	Included Top quality driver.free flicker
Input voltage	100-240VAC / 220-240VAC 50/60Hz
Power factor	>0.6 or >0.9 if needed
CRI	>80
SDCM	<5
Working life	>50000Hrs
Efficiency	>87%
Materials	Die-cast aluminum+Glass cover,White finished
Beam angle	120°
IP Grade	IP22 indoor use only
Emergency kits	No. but it is ok to do emergency backup for 30% power with 1hrs 2hrs 3hrs duration
Dimmable	No. but it is ok to do Triac/0-10V/DALI Dimming if needed
Working temperature	-30°C~+55°C
Storage temperature	-35°C~+60°C
Standard	CE LVD EMC RoHs
Warranty	2/3/5Years