

### GR-SSL-A Series



#### Feature

- Adjustable Joint (90°)
- LiFePO4 Li-Battery, 3.2V/12.8V System
- High brightness Led chips, 100-150lm/W output
- Radar Sensor, Photocell dusk to dawn.
- Mono Solar panel, high efficiency.



Order Model	Power Watt	Solar Panel Watt	Li-Battery Volt
GR-SSL-60WA	60W	18V 60W	12.8V 24AH
GR-SSL-80WA	80W	18V 80W	12.8V 30AH
GR-SSL-100WA	100W	18V 100W	12.8V 36AH

### GR-SSL-B Series



#### Feature

- Top quality
- A grade LiFePO4 Li-Battery 12.8V System
- High brightness Led chips, 140-160lm/W output
- MPPT Solar controller, Mono Solar panel, high efficiency
- Pole installation as standard, other installation adapters can be customized



Order Model	Power Watt	Solar Panel Watt	Li-Battery Volt
GR-SSL-30WB	30W	18V 50W	12.8V 27AH
GR-SSL-40WB	40W	18V 65W	12.8V 28AH
GR-SSL-50WB	50W	18V 70W	12.8V 36AH
GR-SSL-60WB	60W	18V 80W	12.8V 42AH
GR-SSL-80WB	80W	18V 100W	12.8V 57AH
GR-SSL-100WB	100W	18V 130W	12.8V 63AH
GR-SSL-120WB	120W	18V 140W	12.8V 72AH

### GR-SSL-F Series



#### Feature

- LiFePO4 Battery 12.8V
- Mono Solar panel, lifetime up 25years
- High brightness Led chips, 100-150lm/W output
- 3 different installation joints options



30W/40W



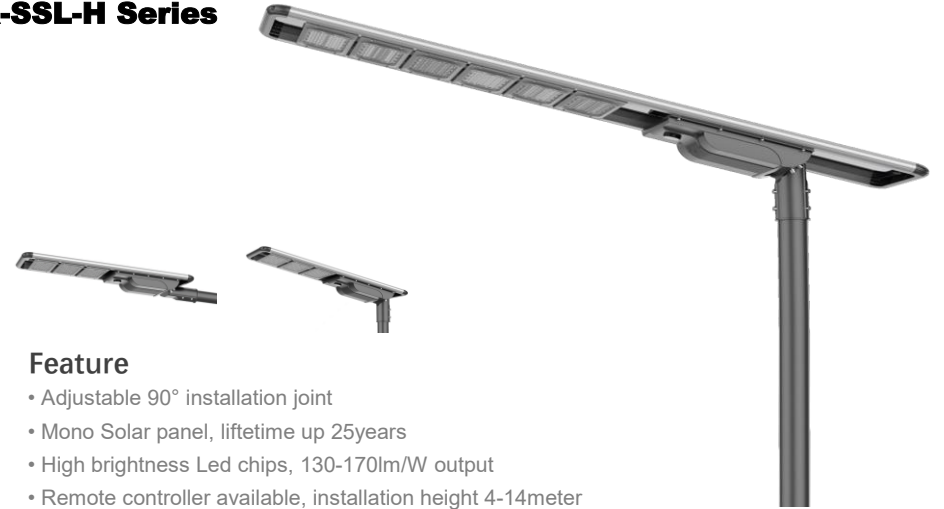
50W/60W/80W



100W/120W

Order Model	Power Watt	Solar Panel Watt	Li-Battery Volt
GR-SSL-30WF	30W	18V 50W	12.8V 24AH
GR-SSL-40WF	40W	18V 65W	12.8V 30AH
GR-SSL-50WF	50W	18V 70W	12.8V 36AH
GR-SSL-60WF	60W	18V 80W	12.8V 42AH
GR-SSL-80WF	80W	18V 100W	12.8V 48AH
GR-SSL-100WF	100W	18V 130W	12.8V 60AH
GR-SSL-120WF	120W	18V 150W	12.8V 66AH

### GR-SSL-H Series



#### Feature

- Adjustable 90° installation joint
- Mono Solar panel, lifetime up 25years
- High brightness Led chips, 130-170lm/W output
- Remote controller available, installation height 4-14meter



40W



50W/60W



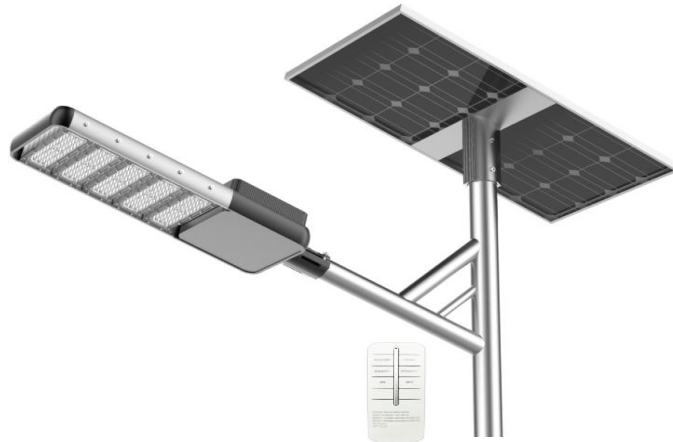
80W



100W/120W

Order Model	Power Watt	Solar Panel Watt	Li-Battery Volt
GR-SSL-40WH	40W	18V 50W	12.8V 24AH
GR-SSL-50WH	50W	18V 65W	12.8V 30AH
GR-SSL-60WH	60W	18V 70W	12.8V 36AH
GR-SSL-80WH	80W	18V 80W	12.8V 42AH
GR-SSL-100WH	100W	18V 100W	12.8V 48AH
GR-SSL-120WH	120W	18V 130W	12.8V 60AH

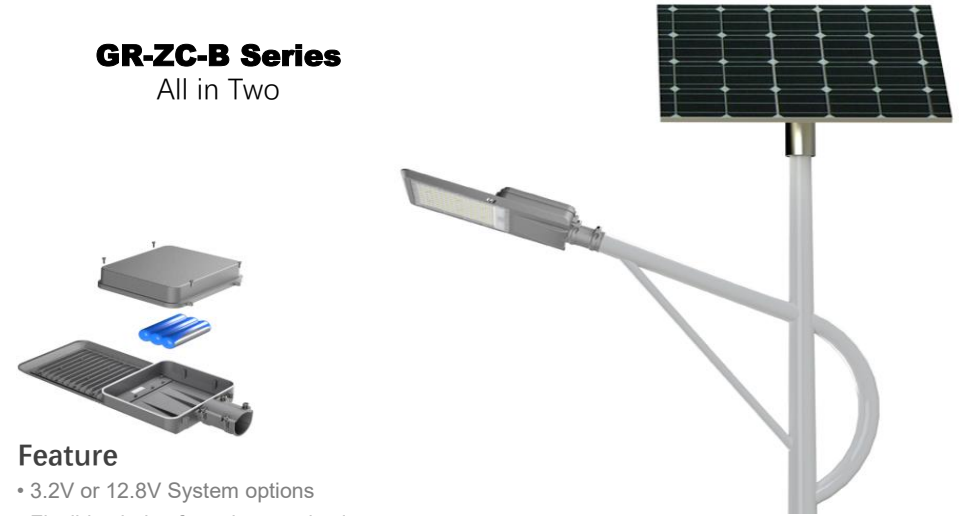
**GR-ZC-A Series**  
All in Two



**Feature**

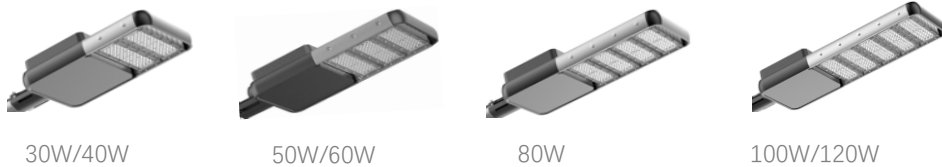
- Adjustable light module
- 12.8V Li-Battery be into street light body
- High brightness Led chips, 100-150lm/W output
- Working for pole height 5-14meter, Remote controller available

**GR-ZC-B Series**  
All in Two



**Feature**

- 3.2V or 12.8V System options
- Flexible choice for solar panel volume.
- LED Chip QTY up to 300pcs Max, highest lumens with cheap price



Order Model	Power Watt	Solar Panel Watt	Li-Battery Volt
GR-ZC-30WA	30W	18V 40W	12.8V 18AH
GR-ZC-40WA	40W	18V 50W	12.8V 24AH
GR-ZC-50WA	50W	18V 65W	12.8V 30AH
GR-ZC-60WA	60W	18V 80W	12.8V 36AH
GR-ZC-80WA	80W	18V 100W	12.8V 42AH
GR-ZC-100WA	100W	18V 130W	12.8V 54AH
GR-ZC-120WA	120W	18V 170W	12.8V 60AH

Order Model	3030Chip QTY	Dimension mm	Lumens Lm	Install Height
GR-ZC-50B	50pcs	500*210*85	5000	4-6m
GR-ZC-60B	60pcs	500*210*85	6000	5-7m
GR-ZC-100B	100pcs	500*210*85	10000	7-8m
GR-ZC-120B	120pcs	550*225*90	11000	8-9m
GR-ZC-150B	150pcs	600*245*90	12000	10m
GR-ZC-200B	200pcs	660*267*95	13000	11m
GR-ZC-300B	300pcs	790*264*84	15000	12-14m