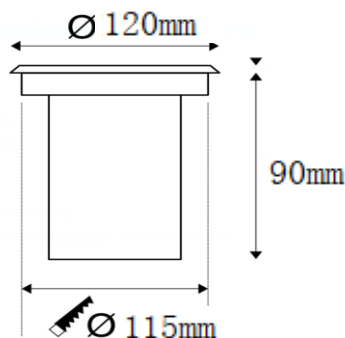


# GR-UL-6WB Underwater Light



## Dimension

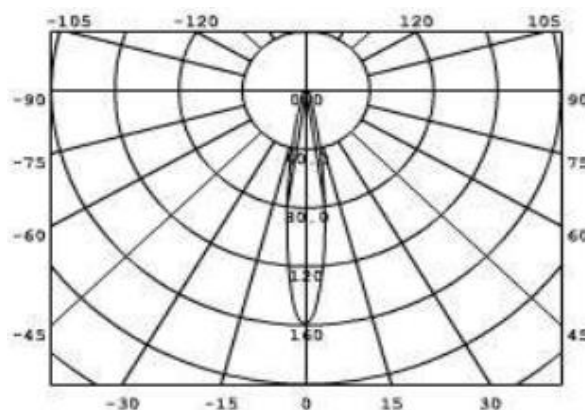


## Description & Feature

This is recessed led underwater, made of stainless steel body, ABS embadded parts, and toughed glass. Waterproof level up to IP68. It can be working well under the water. Light colors are white, warm white, Red, Blue, Green optional. Lifetime up to 50000Hrs. Good choice to do landscape lighting for pool, fountains etc.

The input voltage DC24V as standard, but AC/DC12V can be available as well. What is more, dimmable, DMX512 control also can be available if needed.

## Light Distribution Curve



## Specification

Order Model	GR-UL-6WB
Dimension(mm)	Φ120*H90mm
Outcut	Φ110-115mm
Power	6W±5%
LED Chips brand	Epistar/Bridgelux Chips
Lumens	540-600lm
Color temperature	3000K/4000K-4500K/6000K-6500K/Red/Blue/Green
Installation	Recessed
Input voltage	DC24V OR AC/DC12V
Power factor	>0.9
CRI	>80
SDCM	<5
Working life	>50000Hrs
Efficiency	>88%
Materials	Stainess steel body+Toughed glass cover
Beam angle	30°/60°
IK Rating	IK07
IP Grade	IP68 waterproof
Dimmable	No.(It is ok to do triac/0-10v/dali if needed)
Working temperature	-25°C~+60°C
Storage temperature	-30°C~+65°C
Standard	CE LVD EMC RoHs
Warranty	2/3/5Years options