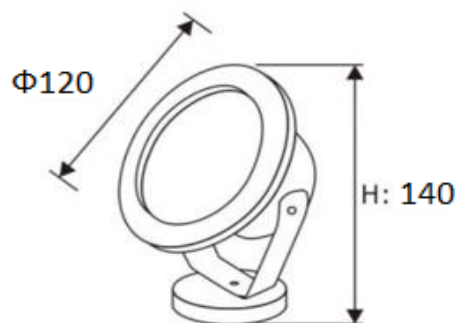


GR-UL-6WA Underwater Light



Dimension



Unit:mm

Description&Feature

This is Led underwater light, it is ok to be placed into water for pools, fountains or swimming rooms etc. It is made of stainless steel body,toughed glass cover, waterproof rubber,protection level up to IP68. Rotate 360° horizontally, and adjust the irradiation angle vertically. The color temperature can be single warm white, white, Green,Red,Blue or RGB.

The input voltage only is low voltage like AC/DC12V 24V. What is more, dimmable,DMX512 control also can be available if needed.

Application



Specification

| | |
|---------------------|--|
| Order Model | GR-UL-6WA |
| Diameter(mm) | Φ120*H140mm |
| Outcut | / |
| Power | 6W±5% |
| LED Chips brand | Bridgelux Chips 6PCS |
| Lumens | 540-600lm |
| Color temperature | 3000K/4000K-4500K/6000K-6500K/Red/Blue/Green/RGB |
| Installation | Mounting base |
| Input voltage | DC24V as standard, other AC/DC12V available |
| Power factor | >0.5 |
| CRI | >80 |
| SDCM | <5 |
| Working life | >50000Hrs |
| Efficiency | >88% |
| Materials | Stainless steel body+Toughed glass cover |
| Beam angle | 30° |
| IK Rating | IK07 |
| IP Grade | IP68 waterproof |
| Dimmable | No.(It is ok to do triac/0-10v/dali if needed) |
| Working temperature | -25°C~+60°C |
| Storage temperature | -30°C~+65°C |
| Standard | CE LVD EMC RoHs |
| Warranty | 2/3/5Years options |