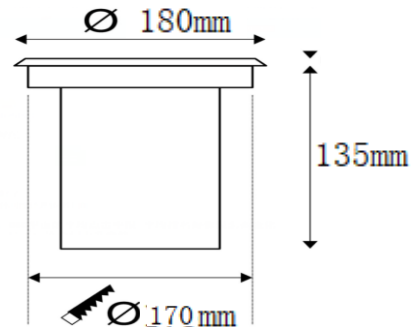


GR-UL-15WB Underwater Light



Dimension



Description & Feature

This is recessed led underwater, made of stainless steel body, ABS embadded parts, and toughed glass. Waterproof level up to IP68. It can be working well under the water. Light colors are white, warm white, Red, Blue, Green optional. Lifetime up to 50000Hrs. Good choice to do landscape lighting for pool, fountains etc.

The input voltage DC24V as standard, but AC/DC12V can be available as well. What is more, dimmable, DMX512 control also can be available if needed.

Application



Specification

Order Model	GR-UL-15WB
Dimension(mm)	φ180*H135mm
Outcut	Φ170mm
Power	15W±5%
LED Chips brand	Epistar/Bridgelux Chips
Lumens	1300-1500lm
Color temperature	3000K/4000K-4500K/6000K-6500K/Red/Blue/Green/RGB
Installation	Recessed
Input voltage	DC24V OR AC/DC12V
Power factor	>0.9
CRI	>80
SDCM	<5
Working life	>50000Hrs
Efficiency	>88%
Materials	Stainless steel body+Toughed glass cover
Beam angle	30°/60°
IK Rating	IK07
IP Grade	IP68 waterproof
Dimmable	No.(It is ok to do triac/0-10v/dali if needed)
Working temperature	-25°C~+60°C
Storage temperature	-30°C~+65°C
Standard	CE LVD EMC RoHs
Warranty	2/3/5Years options