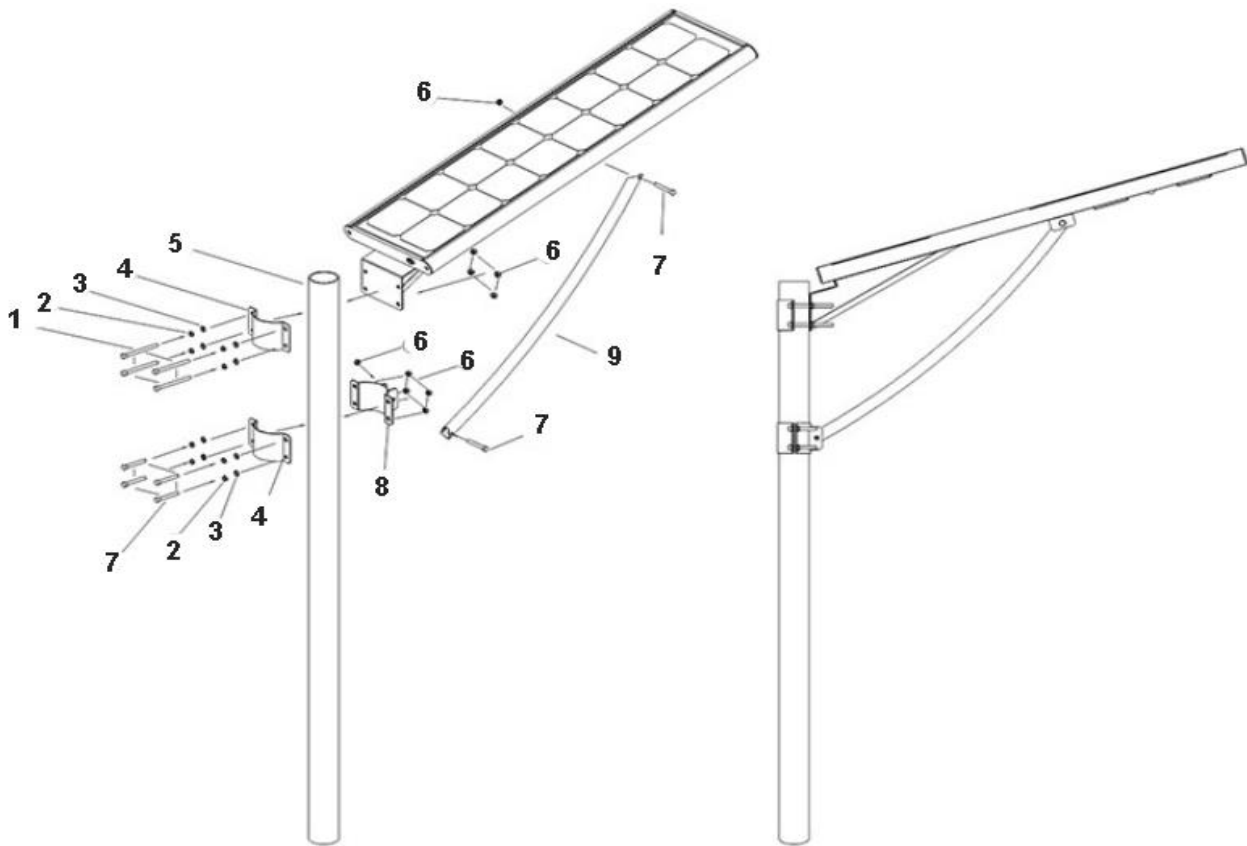


Installation Manual



There are mainly 3 types junction for integrated solar street lights, means there are 3 ways to installation. The above type 1, type 2 is easy to do installation. Just put the junction onto the street pole, then finished. The Type 3 (Hoop installation) is as following:



- | | | | |
|----------------|---------------------|---------------|----------|
| 1.M8*100 bolts | 2.M8 Spring Cushion | 3.Gaskets | 4.Hoop |
| 5. Light pole | 6.M8 Nuts | 7.M8*55 Bolts | 8.Hoop 2 |
| | | | 9.Elbow |

Note:

1. Solar street lamps use solar radiation as the energy source. Whether the sunlight irradiated on the photovoltaic cell module is sufficient or not directly affects the lighting effect of the lamp. Therefore, when choosing the installation position of the lamp, the solar cell module can be irradiated to the sun at any time, and there is no Obstructions such as leaves.

2. When in use, in order to ensure the beauty and the battery components can better receive solar radiation, please clean the dust on the battery components regularly, but do not wash it from the bottom up with water.